



THT/HATCH

400°/2h. BOXED ROOF FAN WITH
AUTOMATED TOP COVER



F-400



EN-12101-3-2002
Powered smoke and
heat exhaust ventilators
for use in Construction Works





HIGH-POWERED VENTILATORS WITH ROOF FANS 400°C/2h

The THT/HATCH series was designed using high-powered ventilator technology for smoke extraction in the event of a fire, and is equipped with THT series mechanical roof fans certified to work at 400°C/2h. In order to adhere to European regulations, the full equipment has been certified as fully operational according to EN-12101-3-2002/AC:2005.

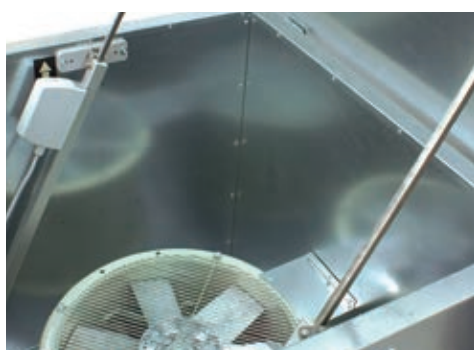
Fast smoke extraction, due to the incorporated exhaust fan, allows for an efficient intervention on behalf of the firefighters and the quick evacuation of people, while avoiding the kindling of new fires and further structural damage to the building.

Furthermore, given the greater capacity for smoke extraction, fewer ventilators actually need to be installed, which of course also greatly reduces the costs of such a project.



HEAT LOSS AND THERMAL INSULATION

One of the main disadvantages of typical roof fans is the constant loss of heating energy through the fan, which escapes outdoors from inside the precinct. The THT/HATCH series is thermally insulated with 60mm panels made of high-density rock wool in addition to having a fully hermetic design, which impedes outdoor temperature leakages.



MOTORISED OPENING

The air outlet damper is opened using two solid motorized arms, which are guaranteed to work for at least 10,000 maximum load operations, which is roughly equal to 1000 Nw per operation. This design allows for seamlessly working with both wind and snow overloads at the same time, in accordance with existing market regulations.

Starting up the ventilators just 30 seconds after activating the opening arms is recommended, in order to avoid pressure overload on the machine. The motor power supply for the opening arms can be requested for either 230V.AC or 24V. DC, depending on installation needs.



EASY TO INSTALL

It works on any roof, no matter what its slope is. It is recommended for the equipment to penetrate the rafters, and that it is then laid against the roof and screwed on to the roof's structure.

The fan's intake can remain free, vacuuming the air directly from the precinct, or it can be directly connected to an extraction duct using the flange incorporated to the base of the exhaust fan.



THT/HATCH

High-powered ventilators with motorised opening and equipped with a roof fan, for smoke extraction in the event of a fire, 400°C/2h



High-powered ventilators with roof fan and motorised opening. Specially designed to extract smoke and dangerous fumes in a quick and efficient manner in the event of a fire. Suitable for installation in industrial warehouses or commercial facilities. Approval according to Standard EN-12101-3-2002/AC:2005, with F-400 certification

Fast smoke extraction allows for an efficient intervention on behalf of the firefighters and the quick evacuation of people, while avoiding the kindling of new fires and further structural damage to the building. It may also be used for the purpose of environmental ventilation throughout the building in which it has been installed



Ventilator:

- Extremely robust structure which can withstand severe climate changes
- Equipment's a structure made of anticorrosive galvanised sheet
- Designed to ensure leaktightness at the inlet for water supply
- Thermal insulation to avoid the loss of heat during the winter
- Base/plinth system to ensure a correct and simple installation on the roof

Opening system:

- Motorised opening arms, with IP-65 canned drive
- Power supply voltage of 230 V. AC 50Hz or 24V. DC
- Reinforced system, guaranteed for over 10,000 maximum load operations
- Maximum load: 1000 Nw
- Automatic opening via external control input (fire control panel, smoke detector, manual switch...) Control system not included.
- Manual opening for regulating environmental ventilation via a switch
- End of the run switch in place to indicate the hatch's position

Fan:

- THT series fans, with F-400 certification No. 0370-CPD-0305
- Sheet steel tubular casing with anticorrosive finish in polyester resin.
- Turnable impellers cast aluminium.

Motor:

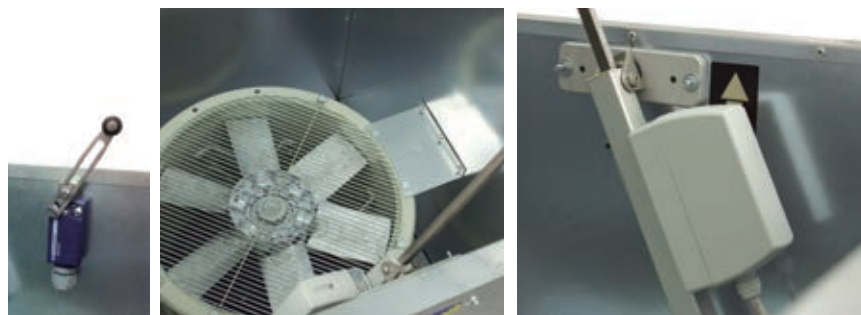
- Class H motors, ongoing use S1 and emergency use S2, with ball bearings and IP55 protection
- Three-phase 230/400V.-50Hz. (up to 4CV.) and 400/690V.-50Hz. (power over 4CV)
- Max. air temperature to transport: S1 Service -20°C + 40°C for ongoing use
- 400°C/2h S2 Service

Finish:

- Anticorrosive galvanised sheet steel

On request:

- Equipped with F-300 certified fans
- Finish in anticorrosive paint with polyester resin



Order code

| | | | | | | | | | | | | |
|------------------|----------|-----------|----------|---|---------------|--------------------|----------|---|----------|---|----------|--|
| THT/HATCH | — | 40 | — | 2T | — | 1 | — | N | — | 1 | — | G |
| ↓ | | ↓ | | ↓ | ↓ | ↓ | | ↓ | | ↓ | | ↓ |
| Model | | Size | | Number of motor poles 2=2900 r/min. 50 Hz 4=1400 r/min. 50 Hz 6=900 r/min. 50 Hz | T=Three-phase | Power motor (c.v.) | | Electrical accessories N= no accessories Y= switch for the end of the run | | Power voltage opening system 1=230 V.AC 2=24 V.DC | | Finish G=galvanised P=painted a special colour |

Technical characteristics

| Model | Speed (r/min) | Intensity (A) | | | Installed power (kW) | Maximum airflow (m ³ /h) | Sound pressure level dB(A) | Weight approx. (Kg) |
|----------------------|------------------|------------------|-------|-------|----------------------------|---|----------------------------------|---------------------------|
| | | 230V | 400V | 690V | | | | |
| THT/HATCH-40-2T-1 | 2850 | 3.15 | 1.80 | | 0.75 | 6115 | 72 | 160 |
| THT/HATCH-40-2T-1.5 | 2880 | 4.70 | 2.70 | | 1.10 | 7050 | 73 | 164 |
| THT/HATCH-45-2T-2 | 2880 | 5.90 | 3.40 | | 1.50 | 9405 | 75 | 169 |
| THT/HATCH-45-2T-3 | 2840 | 8.70 | 5.00 | | 2.20 | 11325 | 77 | 170 |
| THT/HATCH-50-2T-2 | 2880 | 5.90 | 3.40 | | 1.50 | 10100 | 77 | 173 |
| THT/HATCH-50-2T-3 | 2840 | 8.70 | 5.00 | | 2.20 | 11925 | 78 | 175 |
| THT/HATCH-50-2T-4 | 2880 | 11.20 | 6.50 | | 3.00 | 13860 | 79 | 182 |
| THT/HATCH-50-2T-5.5 | 2870 | | 9.30 | 5.40 | 4.00 | 15900 | 80 | 198 |
| THT/HATCH-56-2T-5.5 | 2870 | | 9.50 | 5.50 | 4.00 | 18840 | 85 | 202 |
| THT/HATCH-56-2T-7.5 | 2910 | | 10.60 | 6.14 | 5.50 | 22510 | 86 | 213 |
| THT/HATCH-56-4T-2 | 1440 | 6.20 | 3.60 | | 1.50 | 15020 | 72 | 181 |
| THT/HATCH-63-4T-3 | 1425 | 9.00 | 5.20 | | 2.20 | 22460 | 73 | 232 |
| THT/HATCH-63-4T-4 | 1430 | 11.40 | 6.60 | | 3.00 | 24460 | 74 | 241 |
| THT/HATCH-63-6T-1 | 940 | 4.70 | 2.70 | | 0.75 | 16025 | 63 | 222 |
| THT/HATCH-80-4T-3 | 1425 | 9.00 | 5.20 | | 2.20 | 25545 | 79 | 250 |
| THT/HATCH-80-4T-4 | 1430 | 11.40 | 6.60 | | 3.00 | 30410 | 80 | 259 |
| THT/HATCH-80-4T-5.5 | 1440 | | 8.40 | 4.80 | 4.00 | 32940 | 81 | 265 |
| THT/HATCH-80-4T-7.5 | 1460 | | 12.60 | 7.30 | 5.50 | 39820 | 82 | 281 |
| THT/HATCH-80-6T-1.5 | 945 | 5.50 | 3.20 | | 1.10 | 21580 | 69 | 249 |
| THT/HATCH-80-6T-2 | 945 | 7.40 | 4.30 | | 1.50 | 26090 | 70 | 258 |
| THT/HATCH-90-4T-7.5 | 1460 | | 12.60 | 7.30 | 5.50 | 46325 | 88 | 356 |
| THT/HATCH-90-4T-10 | 1460 | | 17.70 | 10.20 | 7.50 | 50315 | 89 | 367 |
| THT/HATCH-90-4T-15 | 1460 | | 22.00 | 12.70 | 11.00 | 59610 | 90 | 420 |
| THT/HATCH-90-6T-3 | 950 | 9.50 | 5.50 | | 2.20 | 34055 | 75 | 329 |
| THT/HATCH-90-6T-4 | 970 | 13.50 | 7.80 | | 3.00 | 39055 | 76 | 355 |
| THT/HATCH-100-4T-10 | 1460 | | 17.70 | 10.20 | 7.50 | 57650 | 90 | 376 |
| THT/HATCH-100-4T-15 | 1460 | | 22.00 | 12.70 | 11.00 | 66505 | 91 | 429 |
| THT/HATCH-100-4T-20 | 1460 | | 29.00 | 16.70 | 15.00 | 76445 | 92 | 444 |
| THT/HATCH-100-6T-5.5 | 970 | | 11.00 | 6.40 | 4.00 | 47955 | 81 | 376 |
| THT/HATCH-100-6T-7.5 | 970 | | 12.40 | 7.20 | 5.50 | 53545 | 82 | 383 |

Technical characteristics of the high-powered ventilators according to standard EN-12101-3-2002/AC:2005

| Model | Officially approved °C | Class insulation for motor | Durability | Minimum environmental temperature | Wind load (Pa) | Snow load (Pa) |
|-----------|------------------------|----------------------------|------------|-----------------------------------|----------------|----------------|
| THT/HATCH | F-400 | H Class | RE 10000 | T(-15) | WL 1500 | SL 500 |



Erp. BEP (best efficiency point) characteristics

| | | | |
|----------------|--|----------------|--|
| <(°) | Angle of inclination of the blades, in degrees | SR | Specific relationship |
| PN | Motor's nominal power in kW | ηe[%] | Efficiency |
| MC | Measurement category | N | Degree of efficiency |
| EC | Efficiency category | [kW] | Electrical power |
| S | Static | [m³/h] | Airflow |
| T | Total | [mmH²O] | Static or total pressure (According to EC) |
| VSD | Variable-speed drive | [RPM] | Speed |

The THT/HATCH fans are designed to operate under both normal conditions and emergency situations. These types of fans have had their required degree of efficiency reduced by 10% for 2013 and by 5% for 2015.

| Model | <(°) | PN | MC | EC | VSD | SR | ηe[%] | N | (kW) | (m³/h) | (mmH²O) | (RPM) |
|----------------------|------|------|----|----|-----|------|-------|------|--------|--------|---------|-------|
| THT/HATCH-40-2T-1 | 16 | 0.75 | A | S | NO | 1.00 | 41.5% | 48.1 | 0.933 | 4420 | 32.19 | 2850 |
| THT/HATCH-40-2T-1.5 | 20 | 1.1 | A | S | NO | 1.00 | 33.6% | 38.9 | 1.445 | 5180 | 34.43 | 2884 |
| THT/HATCH-45-2T-2 | 16 | 1.5 | A | S | NO | 1.00 | 35.9% | 40.8 | 1.688 | 6802 | 32.70 | 2896 |
| THT/HATCH-45-2T-3 | 22 | 2.2 | A | S | NO | 1.01 | 37.7% | 41.6 | 2.405 | 8144 | 40.86 | 2854 |
| THT/HATCH-50-2T-2 | 8 | 1.5 | A | S | NO | 1.00 | 35.9% | 40.3 | 2.014 | 6731 | 39.48 | 2876 |
| THT/HATCH-50-2T-3 | 12 | 2.2 | A | S | NO | 1.01 | 36.8% | 40.5 | 2.586 | 7884 | 44.29 | 2843 |
| THT/HATCH-50-2T-4 | 16 | 3 | A | S | NO | 1.01 | 34.3% | 37.3 | 3.381 | 8962 | 47.55 | 2885 |
| THT/HATCH-50-2T-5.5 | 20 | 4 | A | S | NO | 1.01 | 32.6% | 35.1 | 4.131 | 9537 | 51.91 | 2885 |
| THT/HATCH-56-2T-5.5 | 16 | 4 | A | S | NO | 1.01 | 45.4% | 47.8 | 4.202 | 12896 | 54.34 | 2883 |
| THT/HATCH-56-2T-7.5 | 22 | 5.5 | A | S | NO | 1.01 | 41.2% | 42.6 | 6.055 | 15917 | 57.53 | 2913 |
| THT/HATCH-56-4T-2 | 36 | 1.5 | B | T | NO | 1.00 | 45.7% | 50.7 | 1.665 | 13581 | 20.60 | 1445 |
| THT/HATCH-63-4T-3 | 32 | 2.2 | B | T | NO | 1.00 | 62.0% | 65.9 | 2.443 | 20324 | 27.38 | 1430 |
| THT/HATCH-63-4T-4 | 38 | 3 | B | T | NO | 1.00 | 57.8% | 60.9 | 3.270 | 24239 | 28.64 | 1440 |
| THT/HATCH-63-6T-1 | 38 | 0.75 | B | T | NO | 1.00 | 48.4% | 54.4 | 1.099 | 15880 | 12.29 | 942 |
| THT/HATCH-80-4T-3 | 12 | 2.2 | C | S | NO | 1.00 | 47.1% | 51.0 | 2.413 | 16923 | 24.69 | 1430 |
| THT/HATCH-80-4T-4 | 16 | 3 | C | S | NO | 1.00 | 41.1% | 43.8 | 3.686 | 20444 | 27.19 | 1432 |
| THT/HATCH-80-4T-5.5 | 18 | 4 | C | S | NO | 1.00 | 41.2% | 43.5 | 4.246 | 22304 | 28.78 | 1448 |
| THT/HATCH-80-4T-7.5 | 26 | 5.5 | B | T | NO | 1.00 | 63.0% | 64.5 | 5.914 | 35186 | 38.92 | 1465 |
| THT/HATCH-80-6T-1.5 | 18 | 1.1 | C | S | NO | 1.00 | 35.4% | 40.8 | 1.389 | 14613 | 12.35 | 951 |
| THT/HATCH-80-6T-2 | 26 | 1.5 | B | T | NO | 1.00 | 57.5% | 62.1 | 1.825 | 23053 | 16.71 | 950 |
| THT/HATCH-90-4T-7.5 | 18 | 5.5 | C | S | NO | 1.00 | 44.1% | 45.2 | 6.749 | 31521 | 34.72 | 1460 |
| THT/HATCH-90-4T-10 | 22 | 7.5 | C | S | NO | 1.01 | 38.9% | 39.2 | 9.154 | 35009 | 37.36 | 1463 |
| THT/HATCH-90-4T-15 | 30 | 11 | B | T | NO | 1.01 | 67.1% | 67.1 | 11.526 | 52205 | 54.45 | 1463 |
| THT/HATCH-90-6T-3 | 24 | 2.2 | C | S | NO | 1.00 | 38.0% | 41.5 | 2.832 | 23831 | 16.58 | 950 |
| THT/HATCH-90-6T-4 | 30 | 3 | B | T | NO | 1.00 | 58.8% | 61.6 | 3.698 | 34203 | 23.37 | 971 |
| THT/HATCH-100-4T-10 | 16 | 7.5 | C | S | NO | 1.00 | 41.3% | 41.4 | 9.606 | 37591 | 38.73 | 1461 |
| THT/HATCH-100-4T-15 | 22 | 11 | C | S | NO | 1.01 | 43.6% | 43.5 | 12.145 | 44571 | 43.65 | 1461 |
| THT/HATCH-100-4T-20 | 28 | 15 | B | T | NO | 1.01 | 64.1% | 63.8 | 16.091 | 66559 | 56.95 | 1462 |
| THT/HATCH-100-6T-5.5 | 26 | 4 | B | T | NO | 1.00 | 57.6% | 59.7 | 4.671 | 42042 | 23.50 | 973 |
| THT/HATCH-100-6T-7.5 | 32 | 5.5 | B | T | NO | 1.00 | 56.3% | 57.9 | 5.690 | 53520 | 22.00 | 975 |

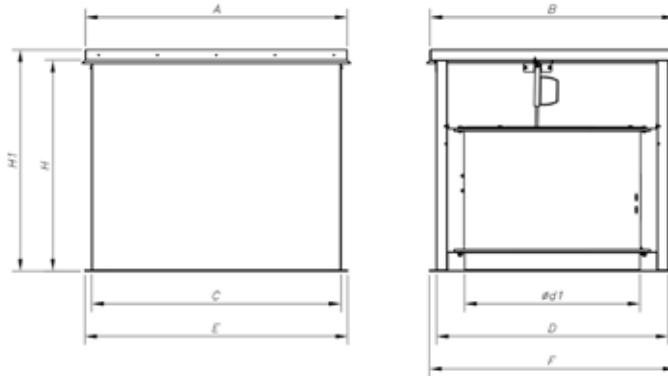
Acoustic features

The specified values are determined according to free field measurements of sound levels in dB(A) at an equivalent distance of twice the fan's span plus the impeller's diameter, with a minimum of 1.5 m.

Sound power Lw(A) spectrum in dB(A) via frequency band in Hz.

| Model | 63 | 125 | 250 | 500 | 1000 | 2000 | 4000 | 8000 | Model | 63 | 125 | 250 | 500 | 1000 | 2000 | 4000 | 8000 |
|----------|----|-----|-----|-----|------|------|------|------|-----------|----|-----|-----|-----|------|------|------|------|
| 40-2-1 | 44 | 65 | 72 | 77 | 80 | 76 | 69 | 58 | 80-4-4 | 54 | 74 | 82 | 87 | 89 | 86 | 79 | 71 |
| 40-2-1.5 | 45 | 66 | 73 | 78 | 81 | 77 | 70 | 59 | 80-4-5.5 | 54 | 74 | 82 | 87 | 89 | 86 | 79 | 72 |
| 45-2-2 | 47 | 68 | 75 | 80 | 83 | 79 | 72 | 61 | 80-4-7.5 | 55 | 75 | 83 | 88 | 90 | 87 | 80 | 73 |
| 45-2-3 | 49 | 70 | 77 | 82 | 85 | 81 | 74 | 63 | 80-6-1.5 | 47 | 64 | 72 | 77 | 79 | 76 | 69 | 58 |
| 50-2-2 | 52 | 72 | 80 | 85 | 87 | 84 | 77 | 66 | 80-6-2 | 48 | 65 | 73 | 78 | 80 | 77 | 70 | 59 |
| 50-2-3 | 53 | 73 | 81 | 86 | 88 | 85 | 78 | 67 | 90-4-7.5 | 57 | 78 | 85 | 90 | 93 | 89 | 82 | 71 |
| 50-2-4 | 54 | 74 | 82 | 87 | 89 | 86 | 79 | 68 | 90-4-10 | 56 | 77 | 84 | 89 | 92 | 88 | 81 | 70 |
| 50-2-5.5 | 55 | 75 | 83 | 88 | 90 | 87 | 80 | 69 | 90-4-15 | 58 | 79 | 86 | 91 | 94 | 90 | 83 | 72 |
| 56-2-5.5 | 60 | 80 | 88 | 93 | 95 | 92 | 85 | 74 | 90-6-3 | 54 | 68 | 75 | 80 | 83 | 79 | 72 | 61 |
| 56-2-7.5 | 61 | 81 | 89 | 94 | 96 | 93 | 86 | 75 | 90-6-4 | 55 | 70 | 77 | 82 | 85 | 81 | 74 | 63 |
| 56-4-2 | 47 | 67 | 75 | 80 | 82 | 79 | 72 | 61 | 100-4-10 | 60 | 80 | 88 | 93 | 95 | 92 | 85 | 74 |
| 63-4-3 | 50 | 68 | 76 | 81 | 83 | 80 | 75 | 64 | 100-4-15 | 59 | 79 | 87 | 92 | 94 | 91 | 84 | 73 |
| 63-4-4 | 51 | 69 | 77 | 82 | 84 | 81 | 76 | 65 | 100-4-20 | 61 | 81 | 89 | 94 | 96 | 93 | 86 | 75 |
| 63-6-1 | 41 | 60 | 68 | 73 | 75 | 72 | 65 | 55 | 100-6-5.5 | 62 | 71 | 79 | 84 | 86 | 83 | 76 | 65 |
| 80-4-3 | 56 | 75 | 83 | 89 | 90 | 87 | 81 | 70 | 100-6-7.5 | 63 | 72 | 80 | 85 | 87 | 84 | 77 | 66 |

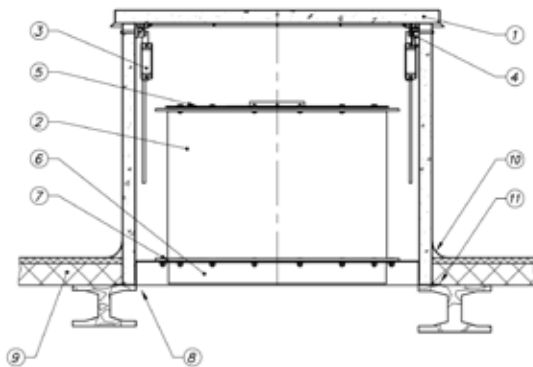
Dimensions in mm



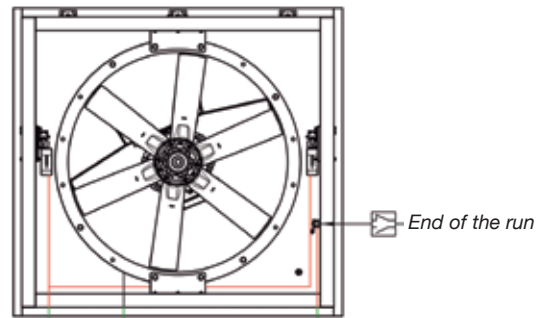
| Model | A | B | C | D | ød1 | E | F | H | H1 |
|---------------------|------|------|------|------|-----|------|------|------|------|
| THT/HATCH-40-2T-1 | 1100 | 990 | 1022 | 920 | 400 | 1100 | 1000 | 1200 | 1260 |
| THT/HATCH-40-2T-1'5 | 1100 | 990 | 1022 | 920 | 400 | 1100 | 1000 | 1200 | 1260 |
| THT/HATCH-45-2T-2 | 1100 | 990 | 1022 | 920 | 450 | 1100 | 1000 | 1200 | 1260 |
| THT/HATCH-45-2T-3 | 1100 | 990 | 1022 | 920 | 450 | 1100 | 1000 | 1200 | 1260 |
| THT/HATCH-50-2T-2 | 1100 | 990 | 1022 | 920 | 500 | 1100 | 1000 | 1200 | 1260 |
| THT/HATCH-50-2T-3 | 1100 | 990 | 1022 | 920 | 500 | 1100 | 1000 | 1200 | 1260 |
| THT/HATCH-50-2T-4 | 1100 | 990 | 1022 | 920 | 500 | 1100 | 1000 | 1200 | 1260 |
| THT/HATCH-50-2T-5'5 | 1100 | 990 | 1022 | 920 | 500 | 1100 | 1000 | 1200 | 1260 |
| THT/HATCH-56-2T-5'5 | 1100 | 990 | 1022 | 920 | 560 | 1100 | 1000 | 1200 | 1260 |
| THT/HATCH-56-2T-7'5 | 1100 | 990 | 1022 | 920 | 560 | 1100 | 1000 | 1200 | 1260 |
| THT/HATCH-56-4T-2 | 1100 | 990 | 1022 | 920 | 560 | 1100 | 1000 | 1200 | 1260 |
| THT/HATCH-63-4T-3 | 1295 | 1195 | 1222 | 1122 | 630 | 1300 | 1200 | 1200 | 1260 |
| THT/HATCH-63-4T-4 | 1295 | 1195 | 1222 | 1122 | 630 | 1300 | 1200 | 1200 | 1260 |
| THT/HATCH-63-6T-1 | 1295 | 1195 | 1222 | 1122 | 630 | 1300 | 1200 | 1200 | 1260 |
| THT/HATCH-80-4T-3 | 1295 | 1195 | 1222 | 1122 | 800 | 1300 | 1200 | 1200 | 1260 |

| Model | A | B | C | D | ød1 | E | F | H | H1 |
|----------------------|------|------|------|------|------|------|------|------|------|
| THT/HATCH-80-4T-4 | 1295 | 1195 | 1222 | 1122 | 800 | 1300 | 1200 | 1200 | 1260 |
| THT/HATCH-80-4T-5'5 | 1295 | 1195 | 1222 | 1122 | 800 | 1300 | 1200 | 1200 | 1260 |
| THT/HATCH-80-4T-7'5 | 1295 | 1195 | 1222 | 1122 | 800 | 1300 | 1200 | 1200 | 1260 |
| THT/HATCH-80-6T-1'5 | 1295 | 1195 | 1222 | 1122 | 800 | 1300 | 1200 | 1200 | 1260 |
| THT/HATCH-80-6T-2 | 1295 | 1195 | 1222 | 1122 | 800 | 1300 | 1200 | 1200 | 1260 |
| THT/HATCH-90-4T-7'5 | 1492 | 1392 | 1420 | 1320 | 900 | 1500 | 1400 | 1200 | 1260 |
| THT/HATCH-90-4T-10 | 1492 | 1392 | 1420 | 1320 | 900 | 1500 | 1400 | 1200 | 1260 |
| THT/HATCH-90-4T-15 | 1492 | 1392 | 1420 | 1320 | 900 | 1500 | 1400 | 1200 | 1260 |
| THT/HATCH-90-6T-3 | 1492 | 1392 | 1420 | 1320 | 900 | 1500 | 1400 | 1200 | 1260 |
| THT/HATCH-90-6T-4 | 1492 | 1392 | 1420 | 1320 | 900 | 1500 | 1400 | 1200 | 1260 |
| THT/HATCH-100-4T-10 | 1492 | 1392 | 1420 | 1320 | 1000 | 1500 | 1400 | 1200 | 1260 |
| THT/HATCH-100-4T-15 | 1492 | 1392 | 1420 | 1320 | 1000 | 1500 | 1400 | 1200 | 1260 |
| THT/HATCH-100-4T-20 | 1492 | 1392 | 1420 | 1320 | 1000 | 1500 | 1400 | 1200 | 1260 |
| THT/HATCH-100-6T-5'5 | 1492 | 1392 | 1420 | 1320 | 1000 | 1500 | 1400 | 1200 | 1260 |
| THT/HATCH-100-6T-7'5 | 1492 | 1392 | 1420 | 1320 | 1000 | 1500 | 1400 | 1200 | 1260 |

Installation diagram



1. THT/HATCH high-powered ventilators
2. THT fan
3. Motorised arms (230V AC or 24V DC x2)
4. End of the run
5. Protection guard for outlet
6. Connection flange for inlet duct
7. Protection guard for inlet (optional)
8. Roof opening
9. Roofing
10. Leak protection
11. Direct mounting using base/plinth adaptation system



Actuator power source
1x230V 50Hz

Motor power source
3x400V 50Hz
or 24 VDC

Connection end of the run

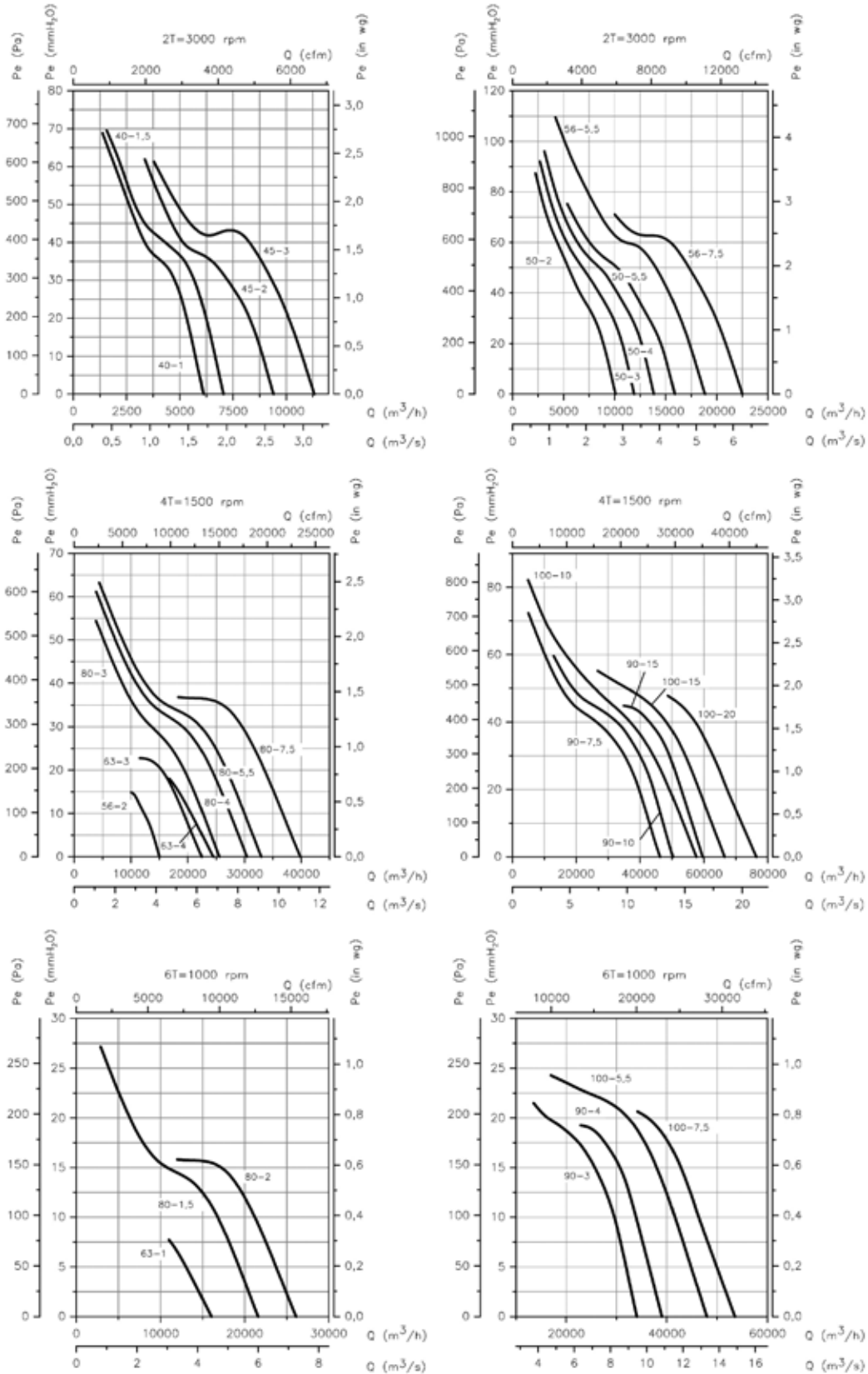
— Pre-installation supplied by the manufacturer
 - - - To be carried out by the installation technician

Note: The use of electronic starters is recommended for motors of over 5.5kW

Characteristic curves

Q = Airflow in m³/h, m³/s and cfm.

Pe = Static pressure in mmH₂O, Pa and inwg.



AXIAL FANS
AND
ROOF FANS

CENTRIFUGAL
FANS AND IN-LINE EXTRACTORS

FANS FOR
SMOKE
EXTRACTION

ATEX FANS FOR EXPLOSIVE
ATMOSPHERES AND OTHER
APPLICATIONS



NEW SERIES - NEW PRODUCTS

NEW CATALOGUES



NEW BUSINESS OPPORTUNITIES

LOW-PRESSURE
CENTRIFUGAL FANS

HEAT RECOVERY
SYSTEMS AND
FILTRATION UNITS

AIR CURTAINS FOR
COMMERCIAL AND
INDUSTRIAL APPLICATIONS

VENTILATION SYSTEM
FOR
HOUSES



**Ask us for
information**



Distributed by:



Crta. de Berga, km 0,7
E-08580 St. Quirze de Besora
BARCELONA (Spain)
Tel. +34 93 852 91 11
Fax.+34 93 852 90 42

comercial@sodeca.com
Export sales: ventilation@sodeca.com
www.sodeca.com

