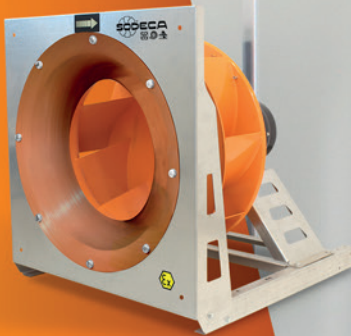


PF/EC PF PF/ATEX

PLUG FAN SYSTEM



Identification no.
LOM 20.554U-C



- PLUG FAN TYPE HIGH EFFICIENCY FAN
- WITH AUTOMATIC FLOW CONTROL PRESSURE CONNECTION
- EASY INSTALLATION AND MAINTENANCE
- AIR TREATMENT APPLICATIONS



PF/EC



PF



PF/ATEX

PLUG FAN TYPE HIGH EFFICIENCY
CENTRIFUGAL FANS



These new products exceed the requirements of the ErP 2009/125/EC Ecodesign Directive and its regulating provisions (EU) 327/2011 for fans, and 1253/2014 for ventilation units, collaborating with the KYOTO Protocol objective of reducing carbon emissions.

BENEFITS



- Energy savings of 70%, thanks to their EC TECHNOLOGY and speed control
- Reduction in energy costs
- Reduction in environmental impact
- Low noise level
- Balanced ventilation at all times
- Centralised installation that is easy to maintain

Industrial EC TECHNOLOGY motors, with technology developed by SODECA, are designed to meet IE5 efficiency standards. These units provide great energy savings and are equipped with the electronic systems required for operation as well as a variable speed drive (VSD).



ENERGY SAVINGS
PROVIDED BY SYSTEMS
EQUIPPED WITH
EC TECHNOLOGY

A great technological solution
that meets the new market requirements

Important **reduction** in energy costs.

Perfect **speed control**, by means of external sensors.

Helps fan **operation**.

MEDIUM AND HIGH PRESSURE CENTRIFUGAL FANS



Since it was first established, SODECA has specialised in the design and manufacture of fans and accessories for industrial applications. Specifically, designs in this sector must be capable of adapting to the specifications of each project as well as being sufficiently flexible in terms of production in order to meet the individual needs of each client. The case-free Plug Fan type centrifugal fans made by SODECA are known for their compact design.



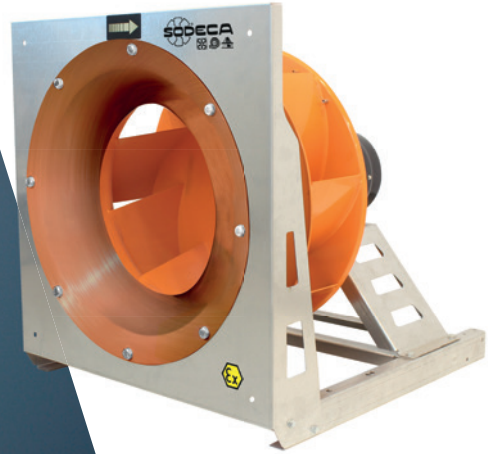
VERSATILITY

These fans have been designed and manufactured to adapt to the spaces found in the different applications. They are designed for ventilation and air conditioning systems, air handling units (AHUs), cooling systems, all type of machinery and clean rooms. Designed for medium and high pressure applications.



HIGH QUALITY

The Plug Fan type centrifugal fans made by SODECA are built using galvanised sheet steel and the impeller has reaction (backward curved) blades. These units have a pressure measurement connection point with an automatic flow control option and are easy to maintain. The finish of these fans is compliant with C3H requirements and optionally, with C4H or C5MH requirements.



SOLUTIONS COMPLIANT WITH THE ATEX DIRECTIVE: MAXIMUM SAFETY AND QUALITY



An ATEX zone is an area containing a mixture of air and flammable gas, flammable liquid vapour, combustible liquid mist or combustible dust, which if ignited, will cause an explosion. Many situations exist that may require specific types of fans that are suitable to operate in these explosive atmospheres. The construction of SODECA's equipment for ATEX is based on a non-sparking fan, powered by an electric motor that is compliant with the requirements of the most stringent standards. SODECA guarantees the quality of its products in order to maximise the safety of personnel and facilities.

In order to adapt its products to specific industrial applications, SODECA has standard production lines as well as a production line for building specials to the client's requirements. Its standard production line meets the most stringent standards of the European ATEX directive 2014/34/EU. The units are designed in accordance with standard EN 14986 to prevent sparks from being generated as a result of friction or impact between the moving and static parts of the fan. They are made using materials which can be combined to prevent the generation of sparks. They also include a copper inlet ring.

To prevent the risk of explosion in facilities with explosive atmospheres, it is essential to have certified equipment manufactured for this purpose. To comply with the standard, all painted parts of the fan are connected with earth cables to prevent sparks being generated by static electricity.

Any device installed in an explosive atmosphere must be designed and manufactured to prevent ignition and, consequently, prevent an explosion. This can lead to a considerable increase in the cost of equipment, maintenance and safety procedures in facilities with explosive atmospheres. For this reason, in most industries, there is a tendency to declassify the number of explosion risk zones where ever possible.

To fully or partially declassify an area, the area must be vented with air, free of explosive gases or dusts, in order to reduce the concentration of those gases or dusts to below the lower explosive limits. This venting process reduces the level of risk in the area or minimises the size of the classified zone, thus reducing the anti-explosive requirements of the equipment that is to be installed.

PF/EC

Plug Fan type high efficiency centrifugal fans, equipped with EC Technology IE5 motor with integrated electronics



High-efficiency centrifugal Plug fans, for air treatment applications. Equipped with EC Technology IE5 motor with integrated electronics, specially designed to obtain high energy efficiency.

Fan:

- Galvanised sheet steel structure.
- Backward curved impeller made of sheet steel.
- Complete with a pressure measurement connection point for optional automatic flow and pressure control.
- Vertical execution not available for sizes 1871.

Motor:

- High efficiency EC Technology motors with integrated electronics, regulated by 0-10 V or 4-20 mA.
- IE5 efficiency motors, class F and IP55 protection.
- Single-phase 230 V 50/60 Hz and three-phase 400 V 50/60 Hz.
- Working temperature: -20 °C +60 °C.
- Modbus RTU and built-in alarm relay (three-phase models).

EC CONTROL: Supplied as an optional accessory. Control panel for ventilation systems with EC Technology motors with the electronics integrated in the motor itself. With the following characteristics:

- CPC: Constant pressure control.
- CFC: Constant flow control.
- DAY/NIGHT: Double pressure setpoint adjustment according to time of day.
- External sensor: compatible with temperature, humidity, air quality or CO sensor.
- Equipment preconfigured in constant pressure mode with 100 Pa set point.

Finish:

- Anti-corrosive in galvanized steel sheet.



EC TECHNOLOGY MOTOR with integrated electronics



EC CONTROL Supplied as an optional accessory

Order code

PF/EC	-	H	-	1856	-	4T	-	5.5	-	IE5	
↓		↓		↓		↓		↓		↓	
PF/EC: Plug Fan type high efficiency centrifugal fans, equipped with EC Technology IE5 motor with integrated electronics		H: Mounting with base. V: Vertical mount with spider mount.		Impeller size		Number of motor poles 2=3000 r/min 50/60 Hz 4=1500 r/min 50/60 Hz 6=900 r/min 50/60 Hz		T = Three-phase M = Single-phase		Motor power (HP)	IE5 motor

Technical characteristics

Model	Speed (r/min)	Maximum admissible current (A)		Installed power (kW)	Maximum flow rate (m³/h)	Sound pressure level¹ (dB (A))	Approx. weight (Kg)	According ErP*
		230V	400V					
PF/EC-925-2M-0.5-IE5	3000	3.30		0.37	2180	61	24	2020
PF/EC-925-2T-0.5-IE5	3000		1.12	0.37	2180	61	22	2020
PF/EC-1028-2M-1-IE5	3000	5.90		0.75	3255	64	24	2020
PF/EC-1028-2T-1-IE5	3000		2.20	0.75	3255	64	20	2020
PF/EC-1028-4M-0.33-IE5	1500	2.30		0.25	1630	49	22	Excluded
PF/EC-1028-4T-0.33-IE5	1500		0.72	0.25	1630	49	20	Excluded
PF/EC-1031-2T-2-IE5	3000		4.22	1.50	4540	68	24	2020
PF/EC-1031-4M-0.33-IE5	1500	2.30		0.25	2270	53	23	2020
PF/EC-1031-4T-0.33-IE5	1500		0.72	0.25	2270	53	22	2020
PF/EC-1135-2T-4-IE5	3000		8.17	3.00	6670	71	43	2020
PF/EC-1135-4T-0.5-IE5	1500		1.06	0.37	3335	56	34	2020
PF/EC-1240-2T-5.5-IE5	3000		10.77	4.00	9300	75	40	2020
PF/EC-1240-4T-0.75-IE5	1500		1.56	0.55	4650	60	29	2020
PF/EC-1445-4T-1.5-IE5	1500		3.07	1.10	6775	64	41	2020
PF/EC-1650-4T-3-IE5	1500		5.96	2.20	10290	77	67	2020
PF/EC-1856-4T-5.5-IE5	1500		10.62	4.00	15480	71	90	2020
PF/EC-1663-4T-5.5-IE5	1420		10.62	4.00	19770	76	97	2020
PF/EC-1871-6T-3-IE5	900		5.96	2.20	16320	74	160	2020

1 Irradiated sound pressure level in dB(A) at a distance of 3 m and at maximum flow rate.
* In accordance with the ErP 2020 draft



Erp. (Energy Related Products)

Information on Directive 2009/125/EC can be downloaded from the SODECA website or the QuickFan selector programme.

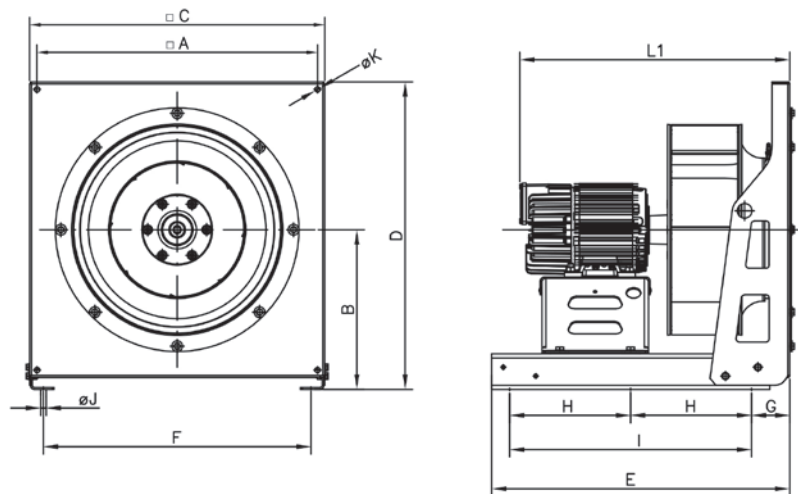
Acoustic characteristics

Sound power spectrum Lw(A) in dB(A) per Hz frequency band

	63	125	250	500	1000	2000	4000	8000		63	125	250	500	1000	2000	4000	8000
PF/EC-925-2M-0.5 IE5	48	63	61	73	70	74	76	63	PF/EC-1135-2T-4 IE5	58	73	71	83	80	84	86	73
PF/EC-925-2T-0.5 IE5	48	63	61	73	70	74	76	63	PF/EC-1135-4T-0.5 IE5	43	58	56	68	65	69	71	58
PF/EC-1028-2M-1 IE5	51	66	64	76	73	77	79	66	PF/EC-1240-2T-5.5 IE5	62	77	75	87	84	88	90	77
PF/EC-1028-2T-1 IE5	51	66	64	76	73	77	79	66	PF/EC-1240-4T-0.75 IE5	47	62	60	72	69	73	75	62
PF/EC-1028-4M-0.33 IE5	36	51	49	61	58	62	64	51	PF/EC-1445-4T-1.5 IE5	51	66	64	76	73	77	79	66
PF/EC-1028-4T-0.33 IE5	36	51	49	61	58	62	64	51	PF/EC-1650-4T-3 IE5	68	78	86	88	87	89	80	70
PF/EC-1031-2T-2 IE5	55	70	68	80	77	81	83	70	PF/EC-1856-4T-5.5 IE5	63	72	85	81	84	85	79	65
PF/EC-1031-4M-0.33 IE5	40	55	53	65	62	66	68	55	PF/EC-1663-4T-5.5 IE5	77	82	88	90	88	85	78	70
PF/EC-1031-4T-0.33 IE5	40	55	53	65	62	66	68	55	PF/EC-1871-6T-3 IE5	72	73	82	85	87	88	84	71

Dimensions mm

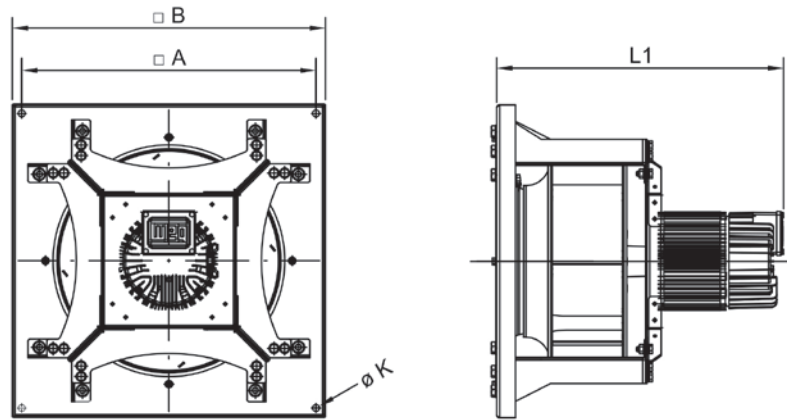
Horizontal



	□A	B	□C	D	E	F	G	H	I	ØJ	ØK	L1
PF/EC-H-925-2M-0.5-IE5	350	215	400	415	405	345	70	-	300	9	9	380
PF/EC-H-925-2T-0.5-IE5	350	215	400	415	405	345	70	-	300	9	9	390
PF/EC-H-1028-2M-1-IE5	375	215	400	415	405	345	70	-	300	9	9	435
PF/EC-H-1028-2T-1-IE5	375	215	400	415	405	345	70	-	300	9	9	406
PF/EC-H-1028-4M-0.33-IE5	375	215	400	415	405	345	70	-	300	9	9	395
PF/EC-H-1028-4T-0.33-IE5	375	215	400	415	405	345	70	-	300	9	9	406
PF/EC-H-1031-2T-2-IE5	375	215	400	415	505	345	70	-	400	9	9	422
PF/EC-H-1031-4M-0.33-IE5	375	215	400	415	505	345	70	-	400	9	9	411
PF/EC-H-1031-4T-0.33-IE5	375	215	400	415	505	345	70	-	400	9	9	422
PF/EC-H-1135-2T-4-IE5	475	270	500	520	505	445	70	-	400	9	9	506
PF/EC-H-1135-4T-0.5-IE5	475	270	500	520	505	445	70	-	400	9	9	458
PF/EC-H-1240-2T-5.5-IE5	475	270	500	520	505	445	70	-	400	9	9	530
PF/EC-H-1240-4T-0.75-IE5	475	270	500	520	505	445	70	-	400	9	9	495
PF/EC-H-1445-4T-1.5-IE5	580	335	630	650	605	575	70	-	500	9	9	542
PF/EC-H-1650-4T-3-IE5	600	335	630	650	705	575	70	-	600	9	9	653
PF/EC-H-1856-4T-5.5-IE5	700	430	760	810	705	705	70	-	600	9	9	688
PF/EC-H-1663-4T-5.5-IE5	700	430	760	810	805	710	70	-	700	11	9	770
PF/EC-H-1871-6T-3-IE5	800	545	960	1025	905	905	70	400	800	11	9	810

Dimensions mm

Vertical



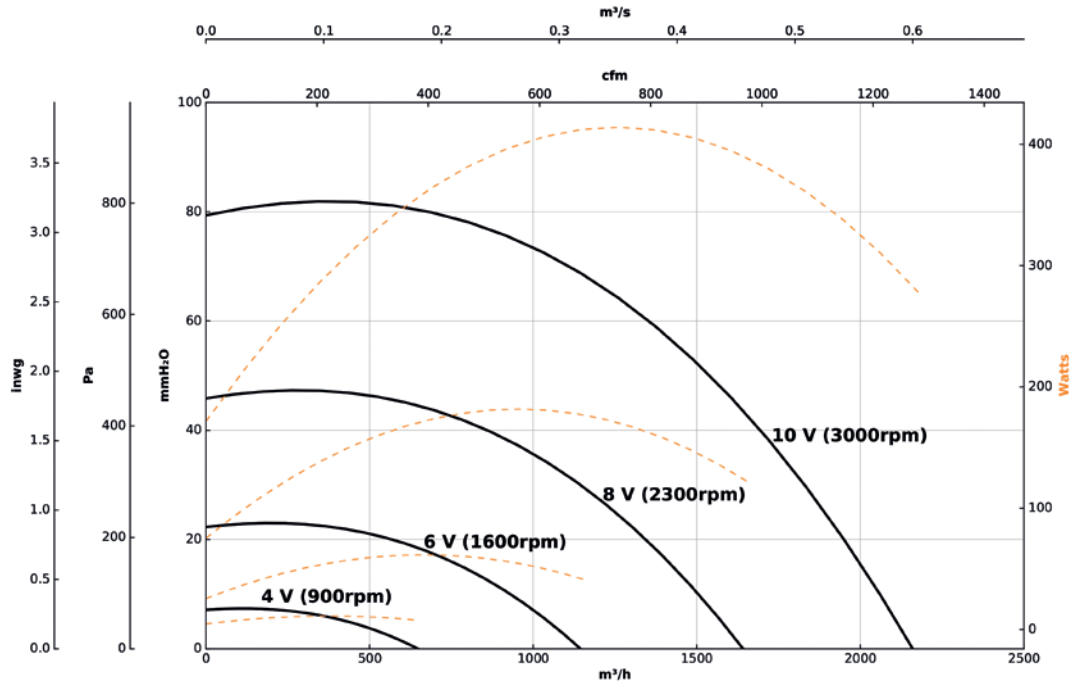
	□A	□B	ØK	L1
PF/EC-V-925-2M-0.5-IE5	367	400	11	380
PF/EC-V-925-2T-0.5-IE5	367	400	11	390
PF/EC-V-1028-2M-1-IE5	390	420	11	436
PF/EC-V-1028-2T-1-IE5	390	420	11	407
PF/EC-V-1028-4M-0.33-IE5	390	420	11	397
PF/EC-V-1028-4T-0.33-IE5	390	420	11	407
PF/EC-V-1031-2T-2-IE5	434	470	11	424
PF/EC-V-1031-4M-0.33-IE5	434	470	11	413
PF/EC-V-1031-4T-0.33-IE5	434	470	11	424
PF/EC-V-1135-2T-4-IE5	470	500	11	506
PF/EC-V-1135-4T-0.5-IE5	470	500	11	458
PF/EC-V-1240-2T-5.5-IE5	519	550	11	529
PF/EC-V-1240-4T-0.75-IE5	519	550	11	494
PF/EC-V-1445-4T-1.5-IE5	580	630	11	542
PF/EC-V-1650-4T-3-IE5	635	670	11	652
PF/EC-V-1856-4T-5.5-IE5	689	730	11	693
PF/EC-V-1663-4T-5.5-IE5	800	840	11	765

Characteristic curves

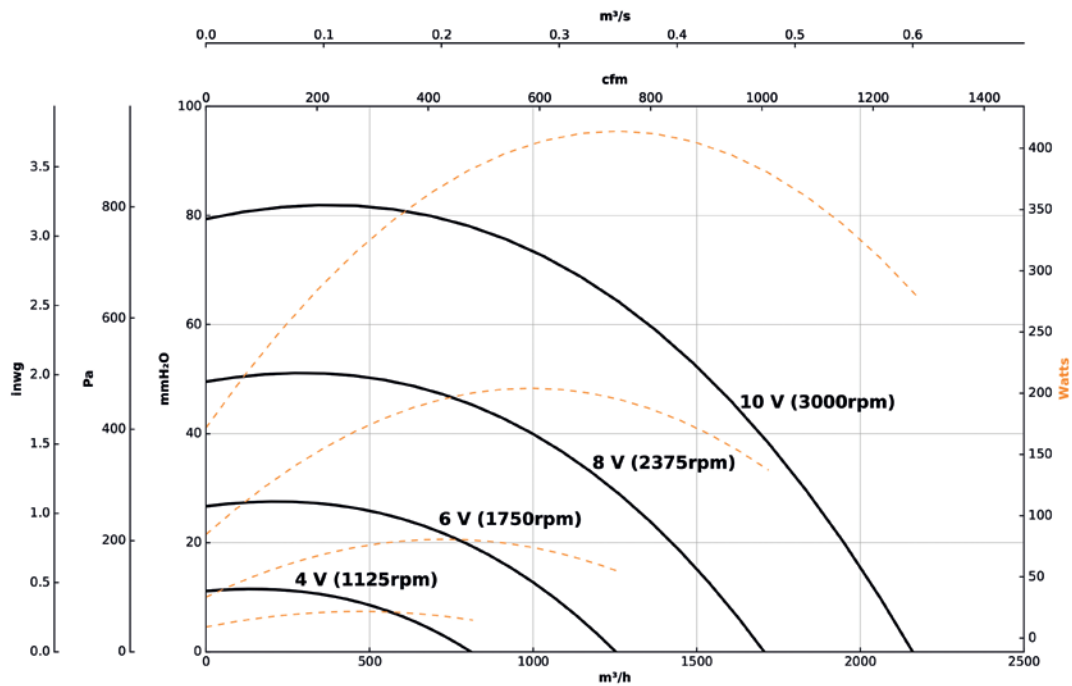
Q= Flow rate in m³/h, m³/s and cfm

Pe= Static pressure in mm H₂O, Pa and inwg

925-2M-0.5



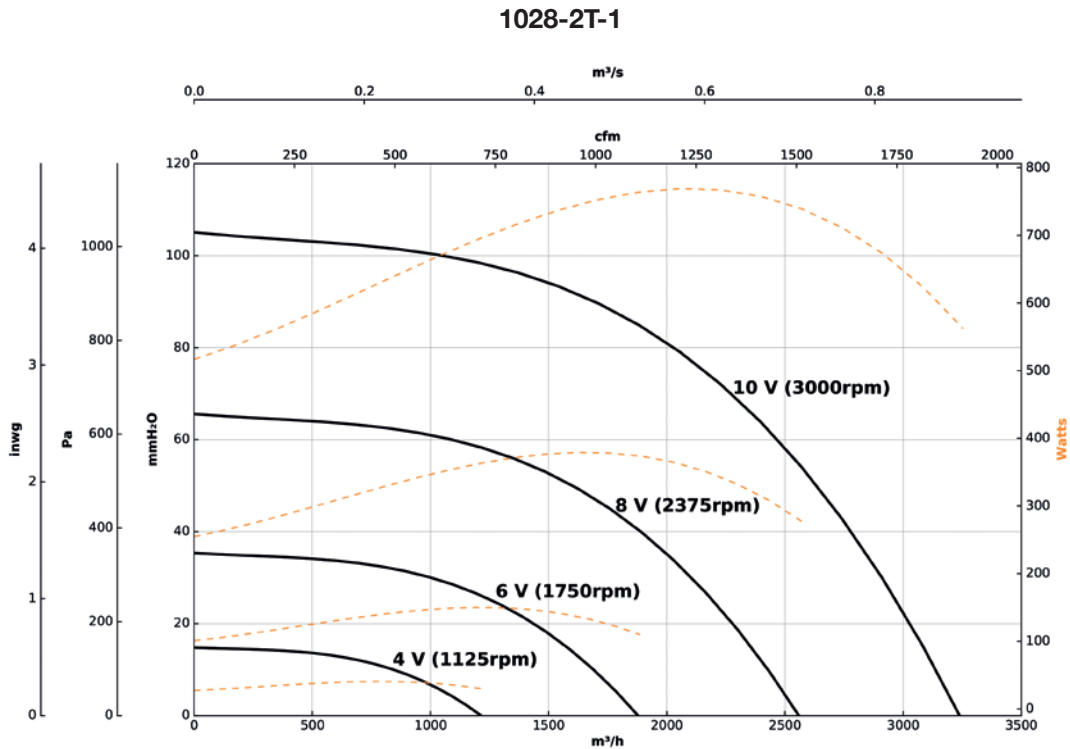
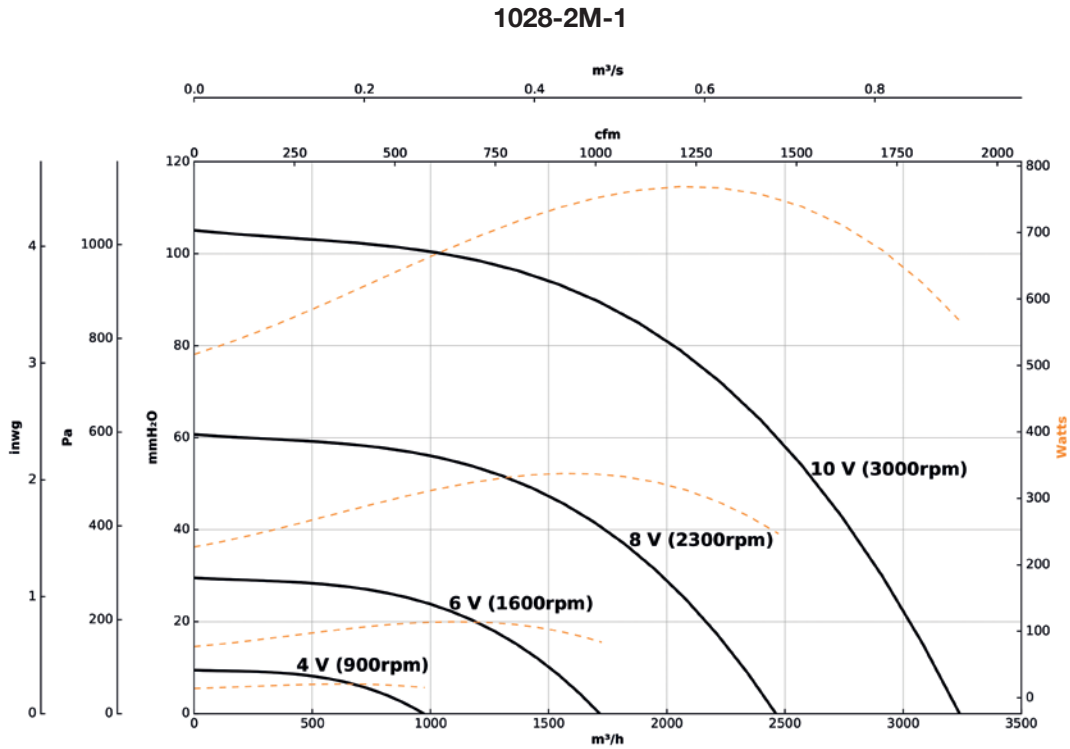
925-2T-0.5



Characteristic curves

Q= Flow rate in m³/h, m³/s and cfm

Pe= Static pressure in mm H₂O, Pa and inwg

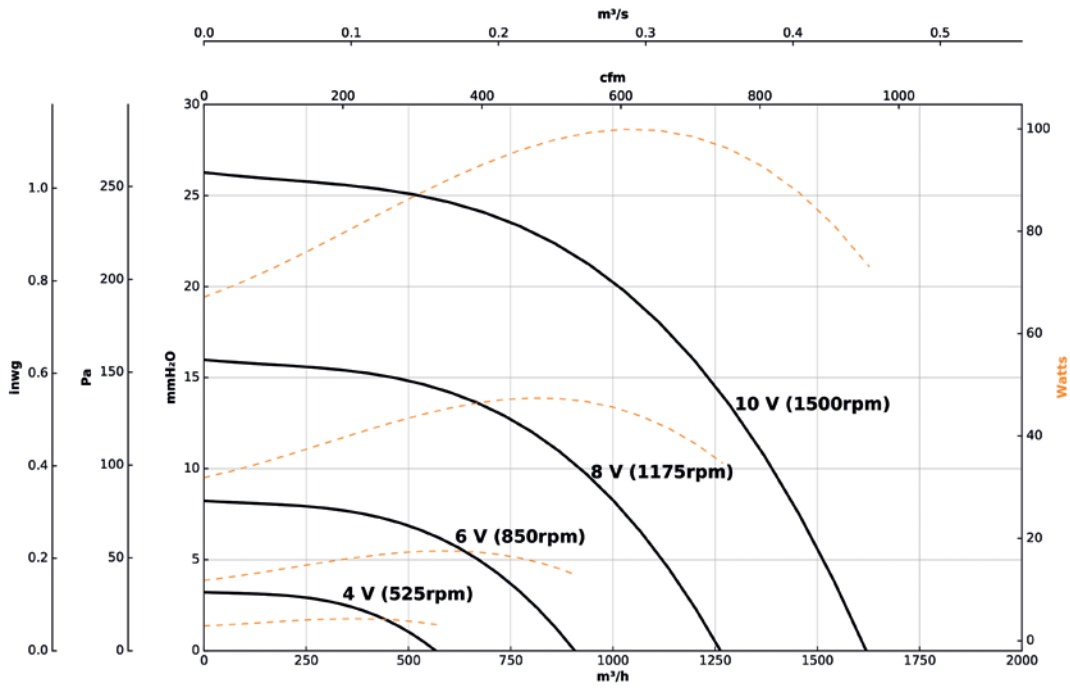


Characteristic curves

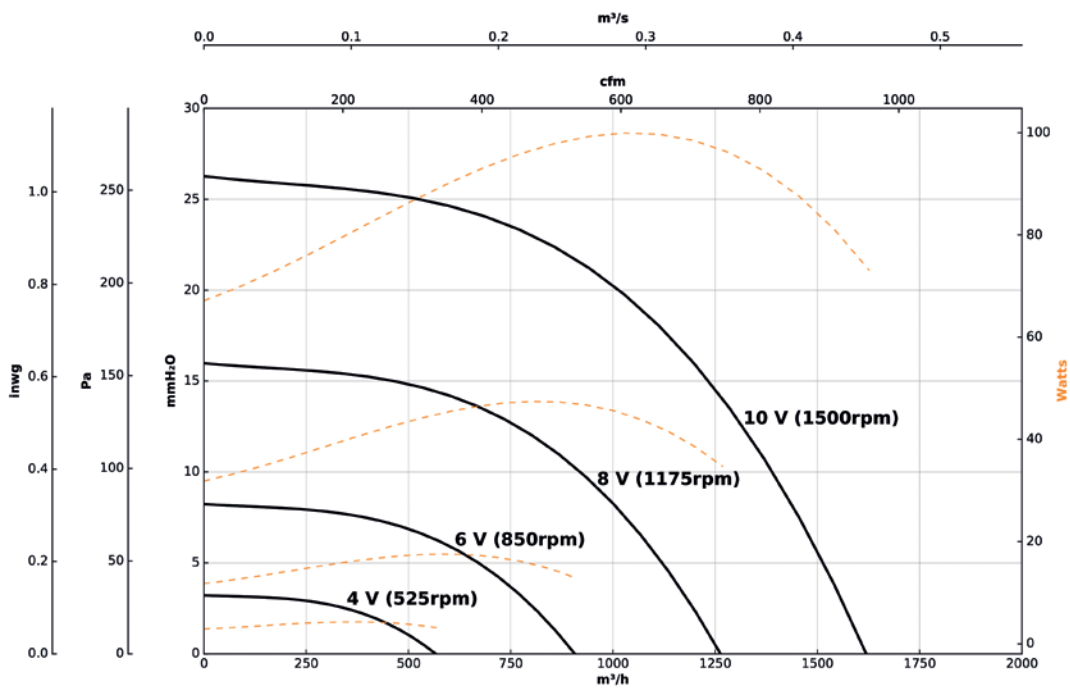
Q= Flow rate in m³/h, m³/s and cfm

Pe= Static pressure in mm H₂O, Pa and inwg

1028-4M-0.33



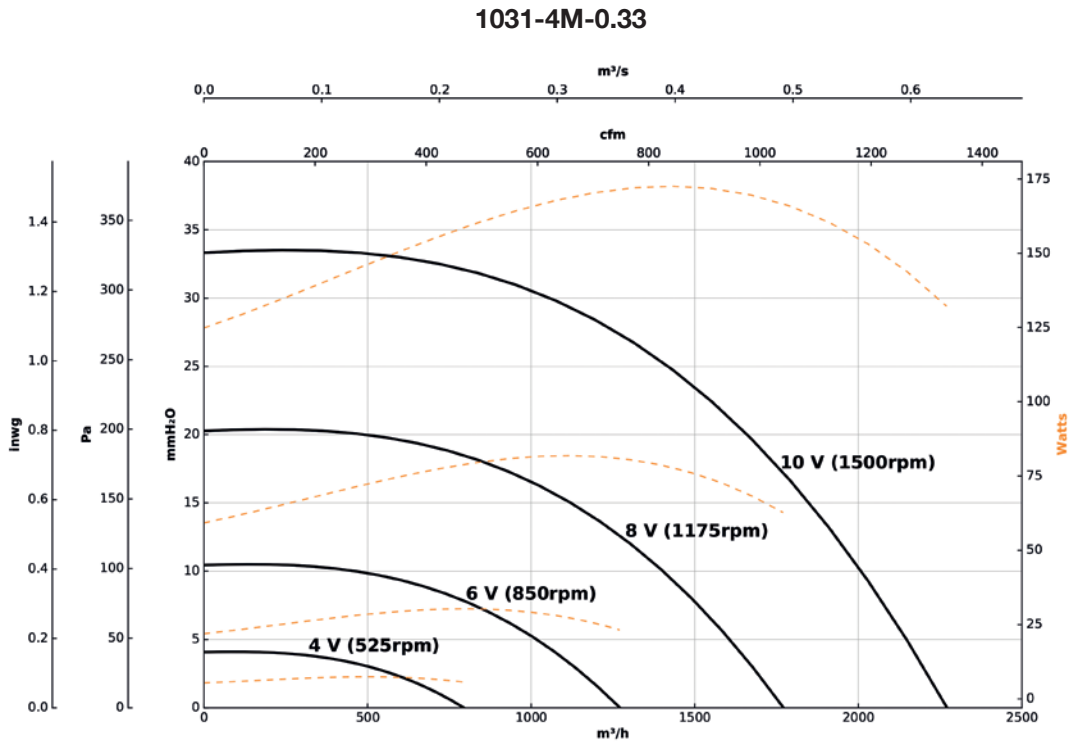
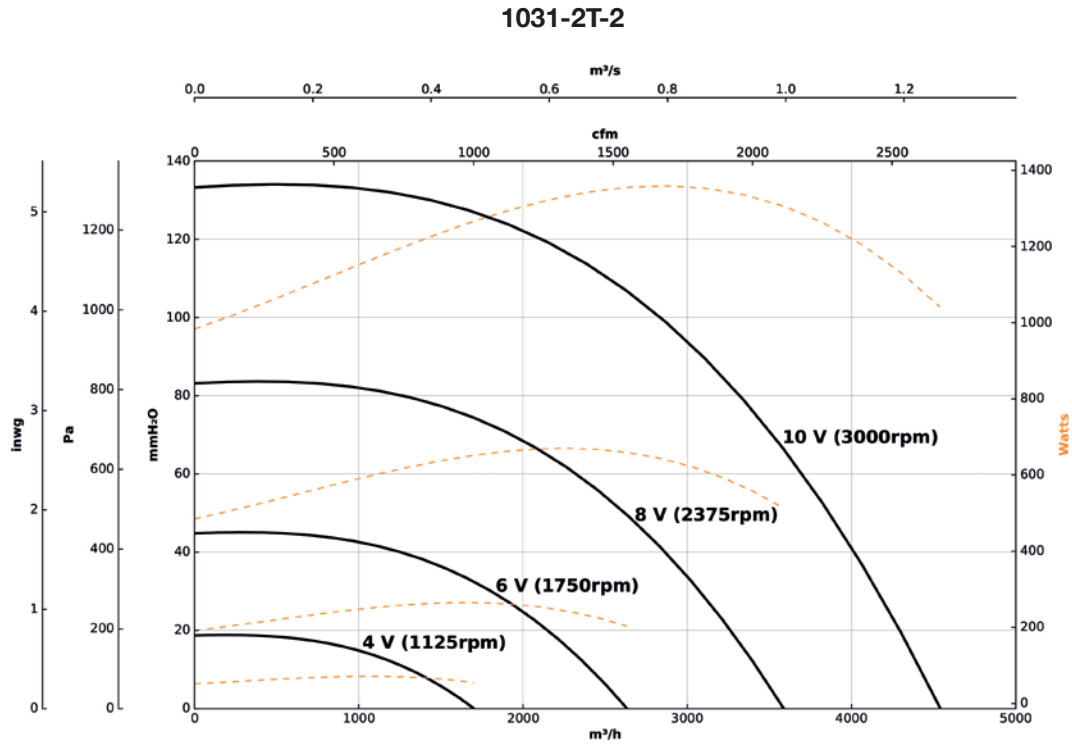
1028-4T-0.33



Characteristic curves

Q= Flow rate in m³/h, m³/s and cfm

Pe= Static pressure in mm H₂O, Pa and inwg

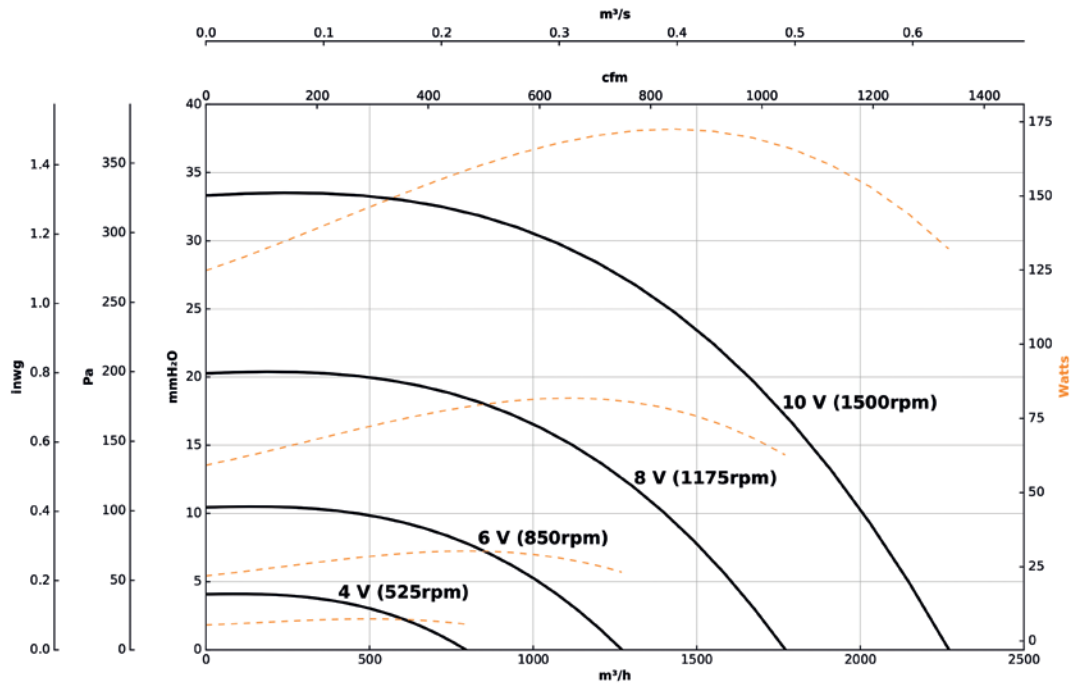


Characteristic curves

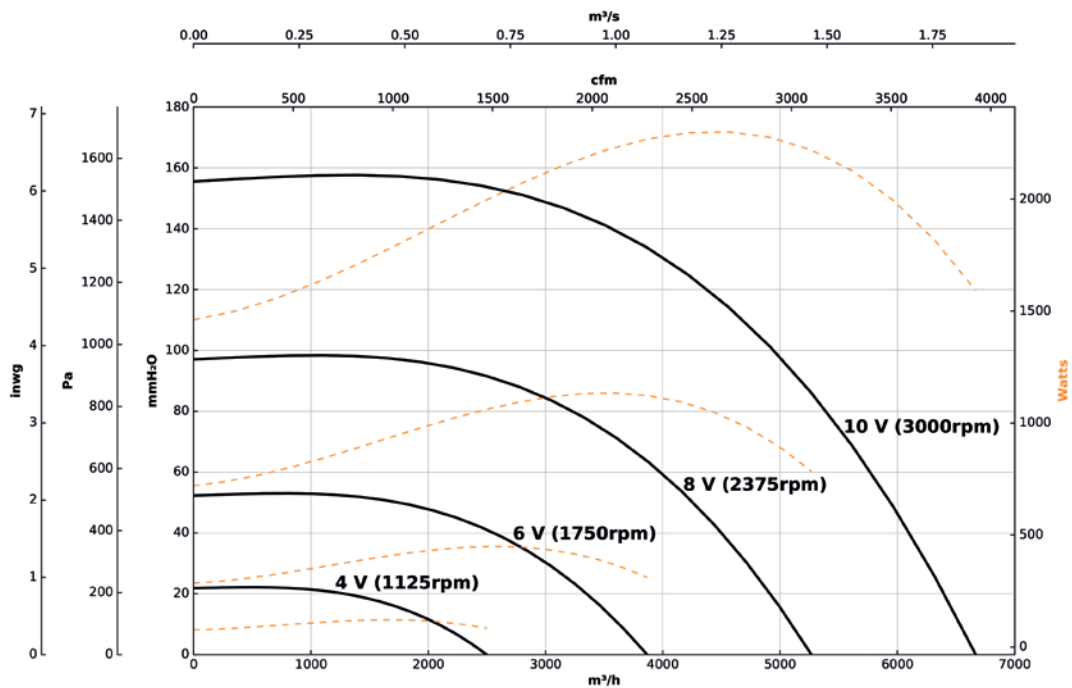
Q= Flow rate in m³/h, m³/s and cfm

Pe= Static pressure in mm H₂O, Pa and inwg

1031-4T-0.33



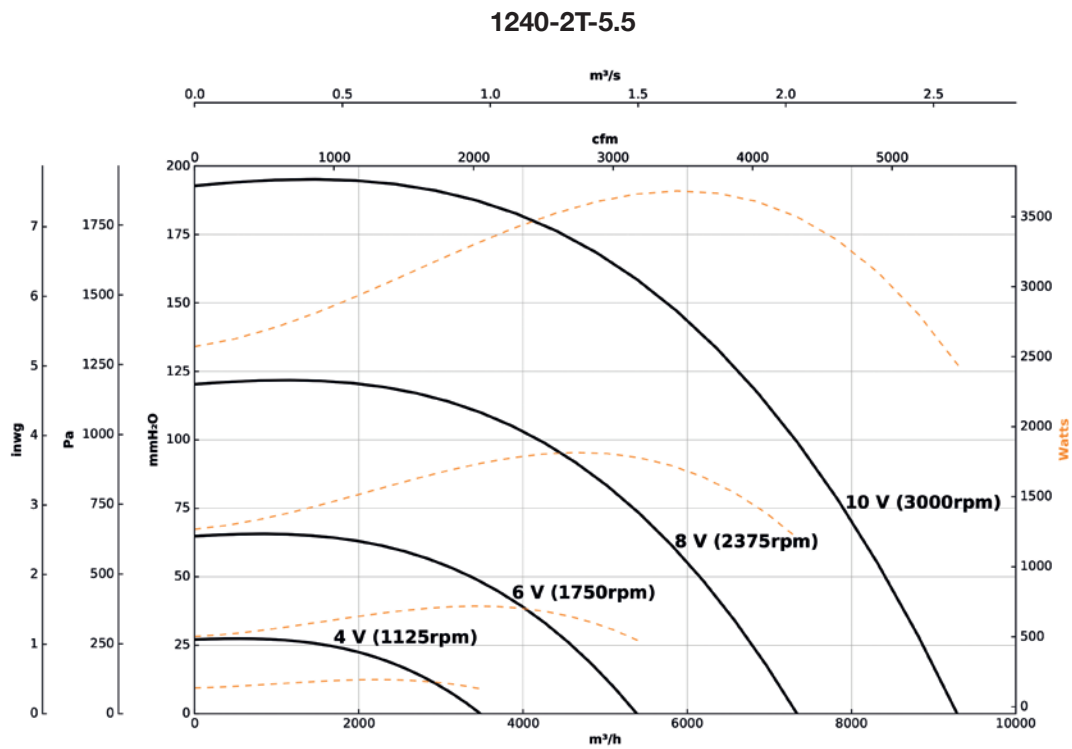
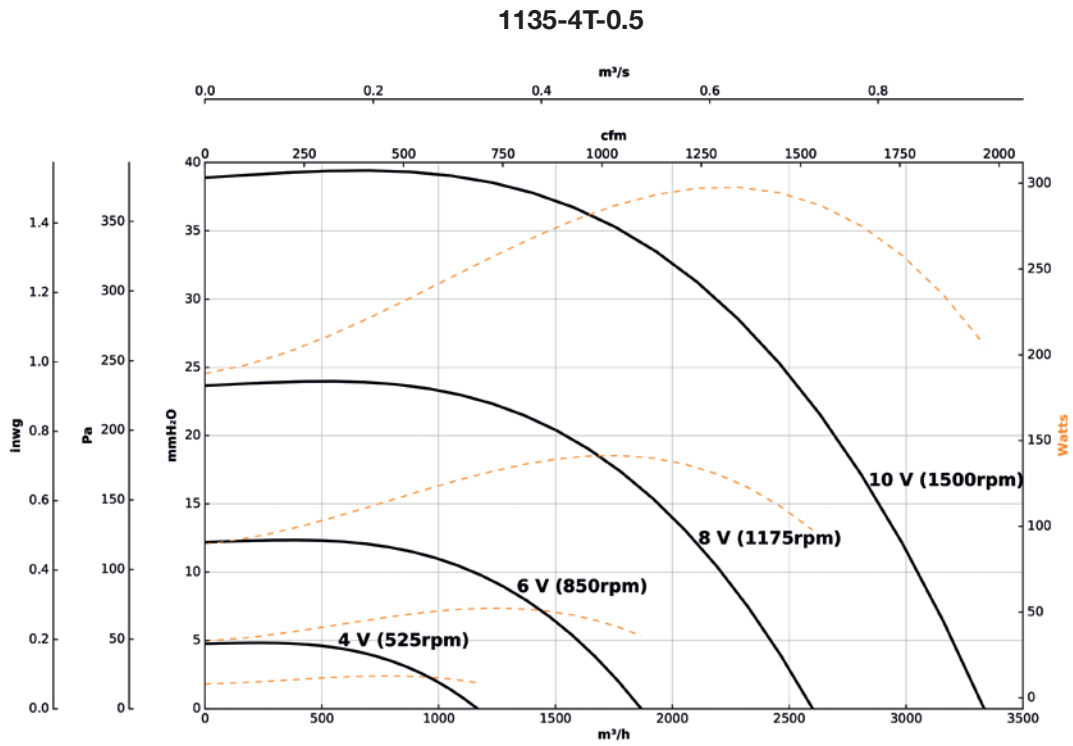
1135-2T-4



Characteristic curves

Q= Flow rate in m³/h, m³/s and cfm

Pe= Static pressure in mm H₂O, Pa and inwg

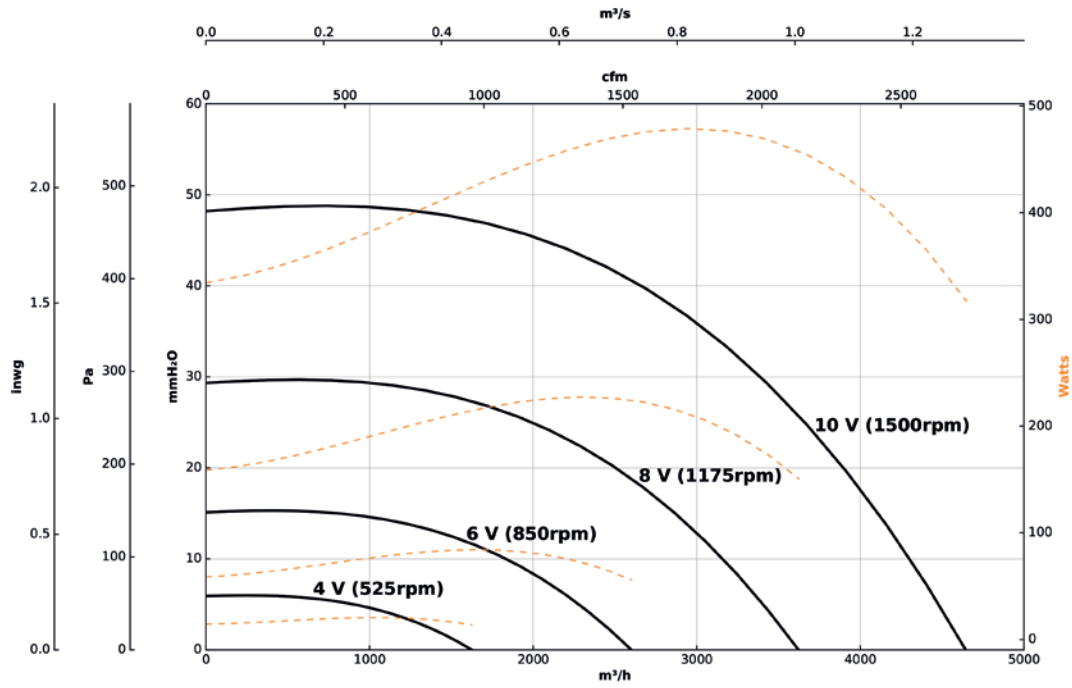


Characteristic curves

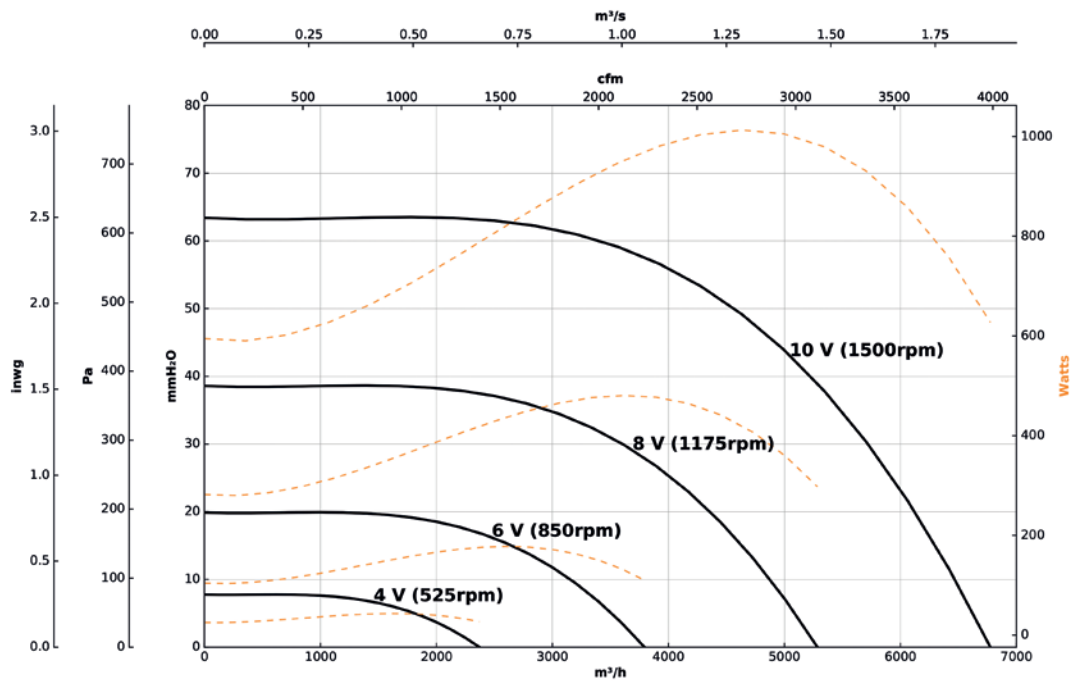
Q= Flow rate in m³/h, m³/s and cfm

Pe= Static pressure in mm H₂O, Pa and inwg

1240-4T-0.75



1445-4T-1.5

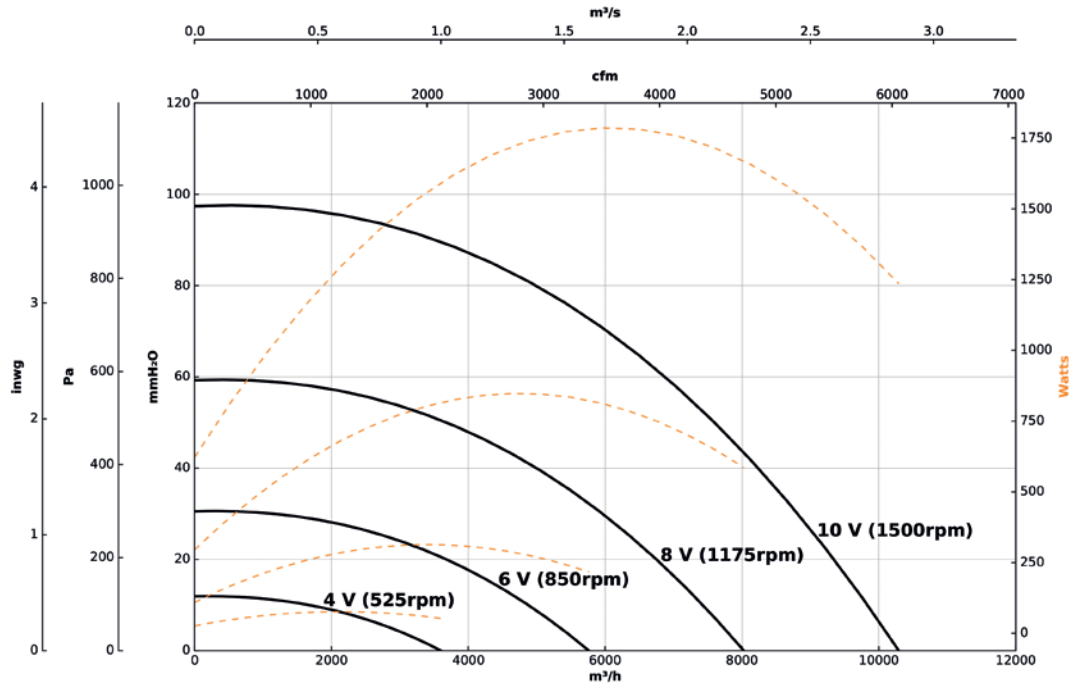


Characteristic curves

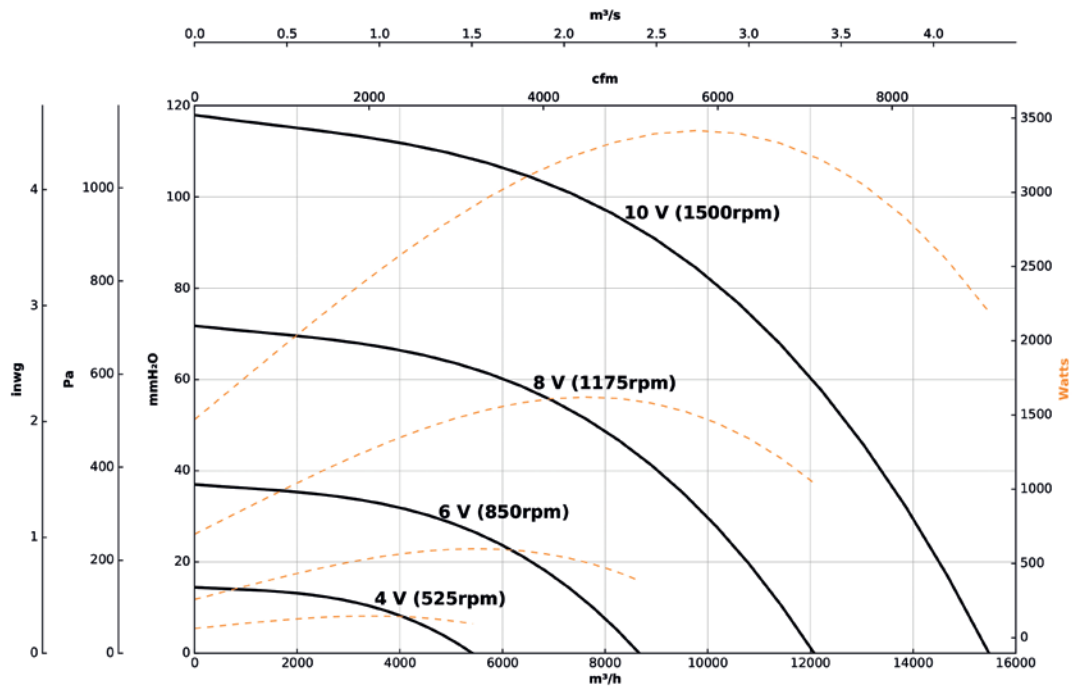
Q= Flow rate in m³/h, m³/s and cfm

Pe= Static pressure in mm H₂O, Pa and inwg

1650-4T-3



1856-4T-5.5

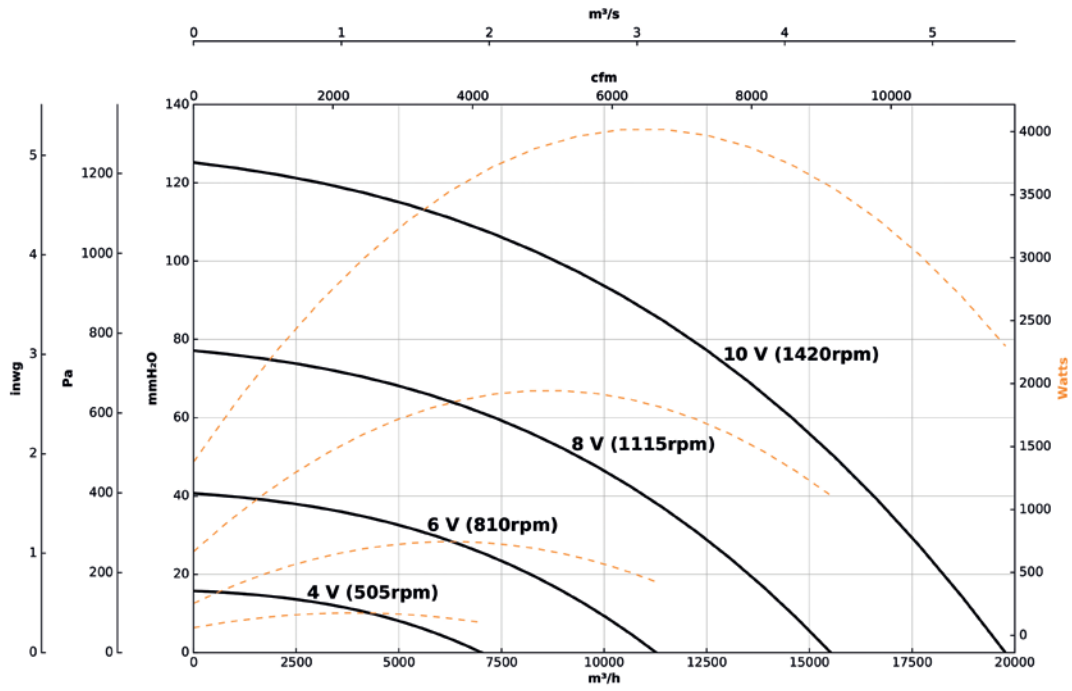


Characteristic curves

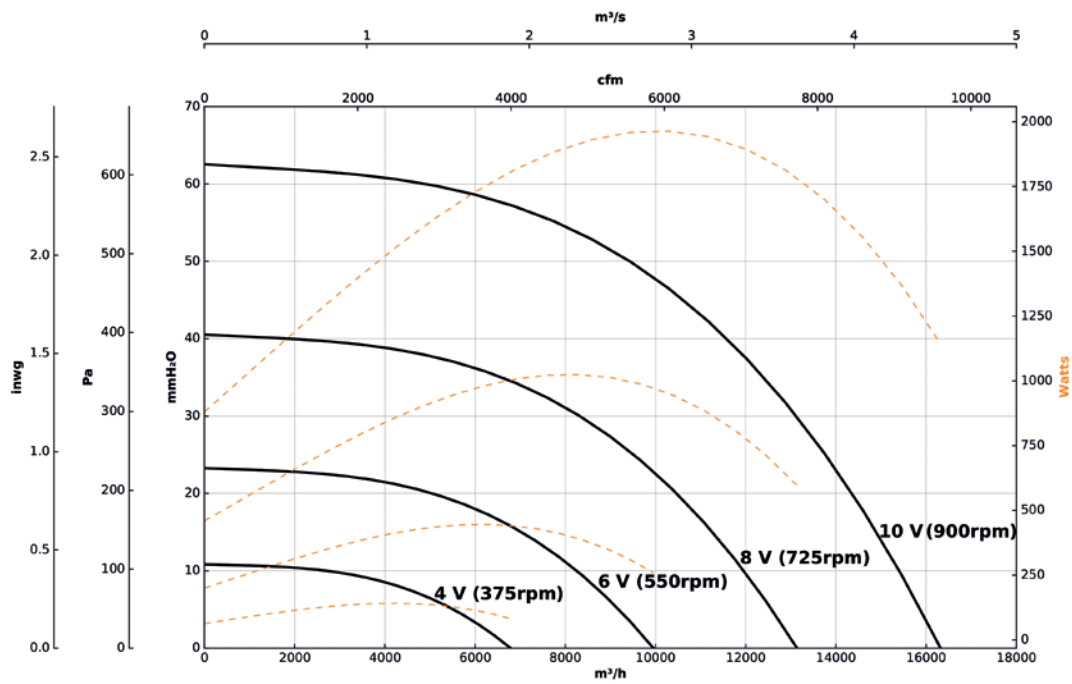
Q= Flow rate in m³/h, m³/s and cfm

Pe= Static pressure in mm H₂O, Pa and inwg

1663-4T-5.5



1871-6T-3



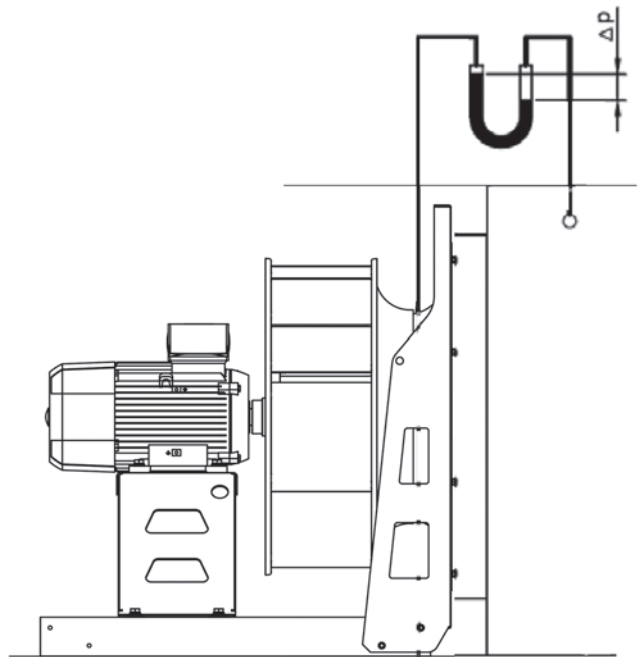
Pressure connection

Air flow rate → Q [m³/h]
 Calibration factor → K
 Difference in pressure → Δp [Pa]

$$Q = K x \sqrt{\Delta p}$$

	K Factor*
PF/EC-925	77
PF/EC-1028	94
PF/EC-1031	107
PF/EC-1135	143
PF/EC-1240	168
PF/EC-1445	245
PF/EC-1650	225
PF/EC-1856	310
PF/EC-1663	397
PF/EC-1871	513

* Values given for ρ = 1.2 kg/m³ and at 20 °C.



Accessories



SI-PRESIÓN



INT



EC CONTROL



MTP



RPA



B



BD

PF



Plug Fan type high efficiency centrifugal fans for air treatment applications, with AC motor



Fan:

- Galvanised sheet steel structure.
- Backward curved impeller made of sheet steel.
- Complete with a pressure measurement connection point for optional automatic flow and pressure control.
- Vertical execution not available for sizes 1871 and 2180.
- A frequency variator is necessary for work points that require rpm other than the motor's nominal ones.

Finish:

- Anti-corrosive in galvanized steel sheet.

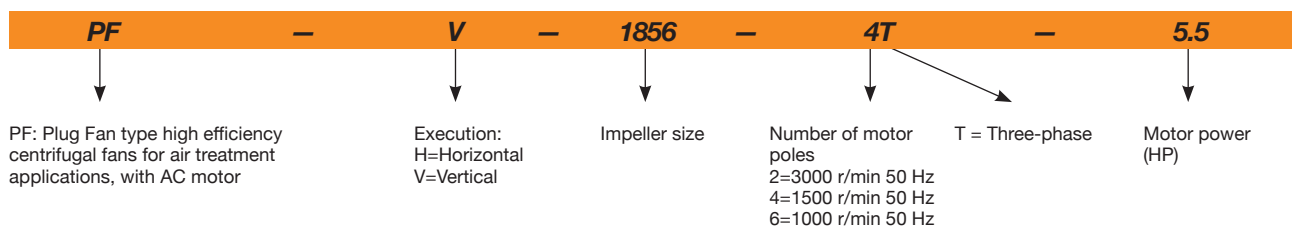
On request:

- With two speed motors.
- Stainless steel construction.

Motor:

- IE3 efficiency AC motors.
- Class F motors with ball bearings and IP55 protection.
- Three-phase 230/400 V (up to 4 kW) and 400/690 V (powers greater than 4 kW).
- Maximum temperature of air to be carried: -25 °C +60 °C.

Order code



Erp. (Energy Related Products)

Information on Directive 2009/125/EC can be downloaded from the SODECA website or the QuickFan selector programme.

Accessories



SI-PRESIÓN



INT



VSD3/A-RFT
- VSD1/A-RFM



AET



RPA



B



BD

PF/ATEX

ATEX-certified, Plug Fan type high efficiency centrifugal fans for air treatment applications



Marking:

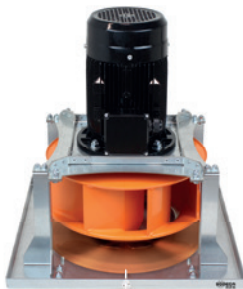
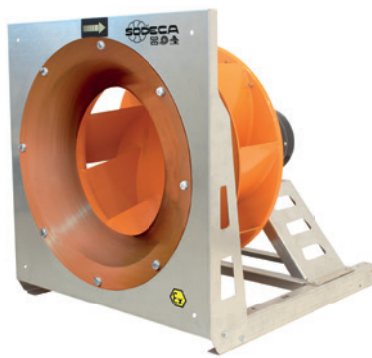
Ex eb: Ex II 2G Ex eb IIB T3 Gb

Ex db: Ex II 2G Ex db IIB T4 Gb

Ex tb: Ex II 2D Ex tb IIIC T135 °C Db

Ex tc: Ex II 3D Ex tc IIIB T135 °C Dc

Identification no.: LOM 20.554U-C



ATEX-certified, Plug Fan type high efficiency centrifugal fans for air treatment applications, with increased safety Ex II 2G Ex eb, flameproof Ex II 2G Ex db or dust ignition proof Ex II 2D tb or Ex II 3D tc motor for working in explosive atmospheres containing dust or gas.

Fan:

- Galvanised sheet steel structure.
- Backward curved impeller made of sheet steel.
- Non-sparking inlet ring made of copper.
- Complete with a pressure measurement connection point for optional automatic flow and pressure control.
- Vertical execution not available for sizes 1871 and 2180.
- A frequency variator is necessary for work points that require rpm other than the motor's nominal ones.

Motor:

- Class F motors with ball bearings and with ATEX certification, increased safety Ex eb or flameproof Ex db or dust ignition proof Ex tb or Ex tc.
- Motors with built-in PTC.
- Three-phase 230/400 V (up to 4 kW) and 400/690 V (powers greater than 4 kW).
- Maximum temperature of air to be carried: -25 °C +60 °C.

Finish:

- Anti-corrosive in galvanized steel sheet.

On request:

- Special windings for different voltages and frequencies.
- ATEX construction for different categories.

Order code



PF/ATEX: ATEX-certified, Plug Fan type high efficiency centrifugal fans for air treatment applications

Execution:
H=Horizontal
V=Vertical

Impeller size

Number of motor poles
2=3000 r/min 50 Hz
4=1500 r/min 50 Hz
6=1000 r/min 50 Hz

T = Three-phase

Motor power (HP)

Ex eb: increased safety for zone 1 and 2
Ex db: non-sparking for zone 1 and 2
Ex tb: for zone 21 and 22
Ex tc: for zone 22

Marking:
II 2G Ex h IIB T3 Gb
II 2G Ex h IIB T4 Gb
II 2D Ex h IIIC T135°C Db
II 3D Ex h IIB T135°C Dc

Accessories



SI-PRESIÓN



INT/ATEX



VSD3/A-RFT
- VSD1/A-RFM



AET



RPA



B

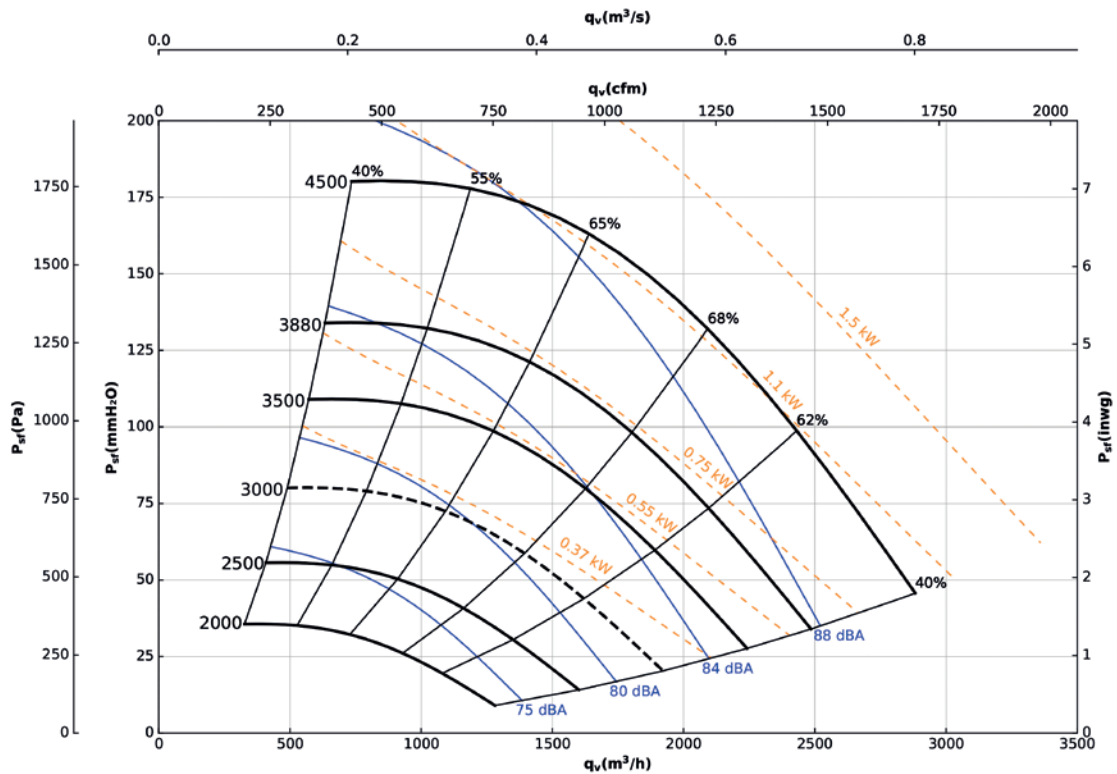


BD

925

Characteristic curves

Q= Flow rate in m³/h, m³/s and cfm Pe= Static pressure in mm H₂O, Pa and inwg



Technical characteristics

Model	Nominal speed ¹ (r/min)	Maximum admissible current (A)		Installed power (kW)	Max. speed (r/min)	Maximum frequency (Hz)	Approx. weight (Kg)	According ErP*
		230V	400V					
PF-925-2T-0.5	2830	1.56	0.90	0.37	3000	53	22	2020
PF-925-2T-0.75	2760	2.57	1.49	0.55	3500	63	24	2020
PF-925-2T-1 IE3	2825	2.80	1.62	0.75	3880	69	26	2020
PF-925-2T-1.5 IE3	2830	4.03	2.34	1.1	4420	78	28	2020
PF-925-2T-2 IE3	2875	5.34	3.07	1.5	4500	78	31	2020

* In accordance with the ErP 2020 draft
¹ The indicated values are determined to 50 Hz motors.

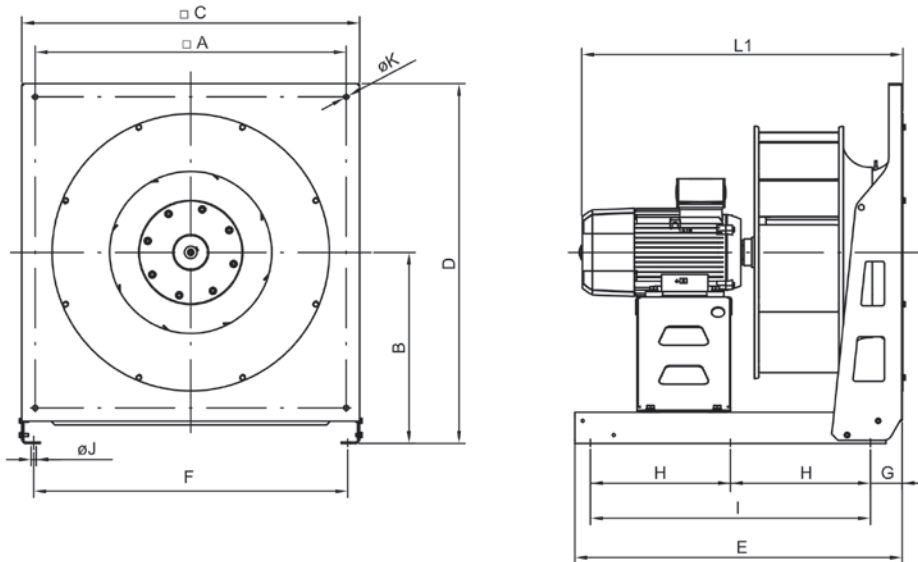
Model	Nominal speed ¹ (r/min)	Maximum admissible current (A)		Installed power (kW)	Max. speed (r/min)	Maximum frequency (Hz)	Approx. weight (Kg)	
		230V	400V				Ex eb	Ex db
PF/ATEX-925-2T-0.5	2770	2.08	1.20	0.37	3000	54	22	23
PF/ATEX-925-2T-0.75	2710	2.94	1.70	0.55	3500	65	20	22
PF/ATEX-925-2T-1	2820	3.46	2.00	0.75	3880	69	21	22
PF/ATEX-925-2T-1.5	2850	4.50	2.60	1.1	4420	78	23	24
PF/ATEX-925-2T-2	2800	6.24	3.60	1.5	4500	80	24	29

¹ The indicated values are determined to 50 Hz motors.

925

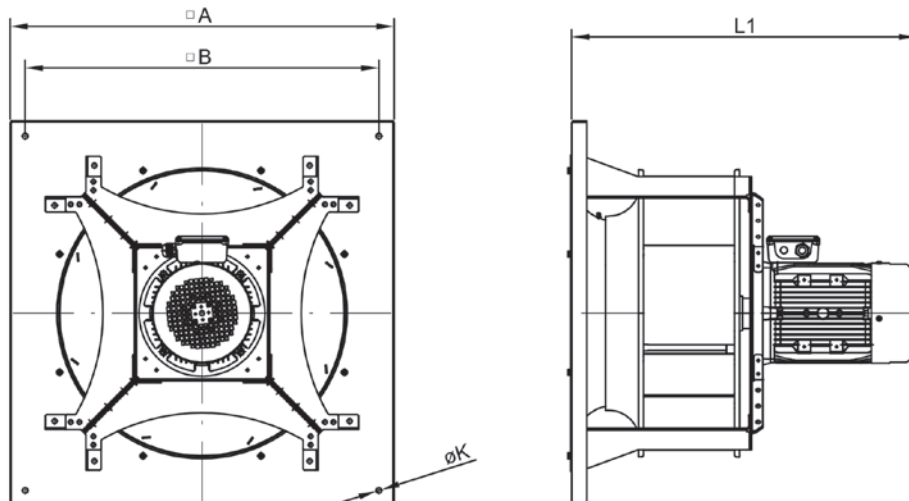
Dimensions mm

Horizontal



	□A	B	□C	D	E	F	G	H	I	ØJ	ØK	L1
PF-925-2T-0.5	350	215	400	415	405	345	70	-	300	9	9	400
PF-925-2T-0.75	350	215	400	415	405	345	70	-	300	9	9	400
PF-925-2T-1	350	215	400	415	405	345	70	-	300	9	9	433
PF-925-2T-1.5	350	215	400	415	405	345	70	-	300	9	9	433
PF-925-2T-2	350	215	400	415	405	345	70	-	300	9	9	441

Vertical



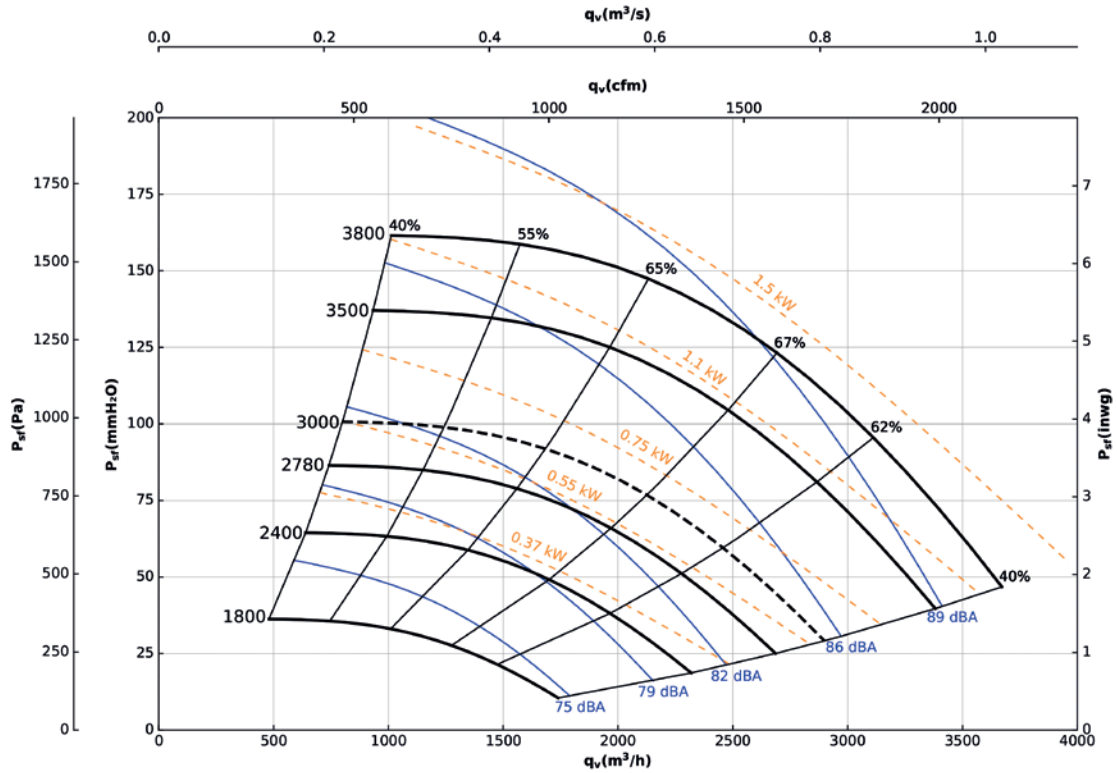
	□A	□B	ØK	L1
PF-925-2T-0.5	367	400	11	400
PF-925-2T-0.75	367	400	11	400
PF-925-2T-1	367	400	11	433
PF-925-2T-1.5	367	400	11	433
PF-925-2T-2	367	400	11	441

1028

Characteristic curves

Q= Flow rate in m³/h, m³/s and cfm

Pe= Static pressure in mm H₂O, Pa and inwg



Technical characteristics

Model	Nominal speed ¹ (r/min)	Maximum admissible current (A)		Installed power (kW)	Max. speed (r/min)	Maximum frequency (Hz)	Approx. weight (Kg)	According ErP*
		230V	400V					
PF-1028-2T-0.75	2760	2.57	1.49	0.55	2780	50	25	2020
PF-1028-2T-1 IE3	2825	2.80	1.62	0.75	3080	55	28	2020
PF-1028-2T-1.5 IE3	2830	4.03	2.34	1.1	3500	62	29	2020
PF-1028-2T-2 IE3	2875	5.34	3.07	1.5	3800	66	33	2020
PF-1028-4T-0.5	1370	2.02	1.17	0.37	2400	88	25	2020

* In accordance with the ErP 2020 draft
¹ The indicated values are determined to 50 Hz motors.

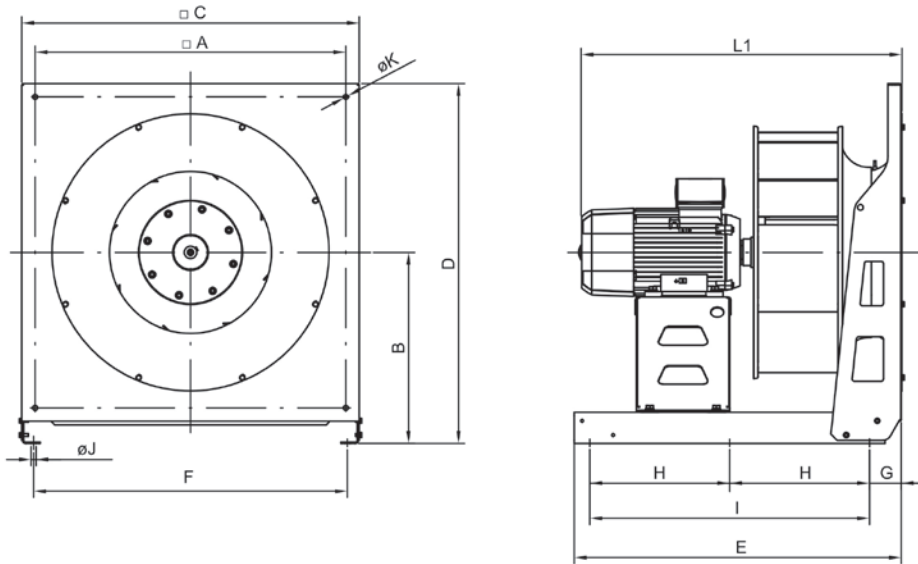
Model	Nominal speed ¹ (r/min)	Maximum admissible current (A)		Installed power (kW)	Max. speed (r/min)	Maximum frequency (Hz)	Approx. weight (Kg)	
		230V	400V				Ex eb	Ex db
PF/ATEX-1028-2T-0.75	2710	2.94	1.70	0.55	2780	51	21	23
PF/ATEX-1028-2T-1	2820	3.46	2.00	0.75	3080	55	23	24
PF/ATEX-1028-2T-1.5	2850	4.50	2.60	1.1	3500	61	24	25
PF/ATEX-1028-2T-2	2800	6.24	3.60	1.5	3800	68	26	31
PF/ATEX-1028-4T-0.5	1370	2.60	1.50	0.37	2400	88	23	25

¹ The indicated values are determined to 50 Hz motors.

1028

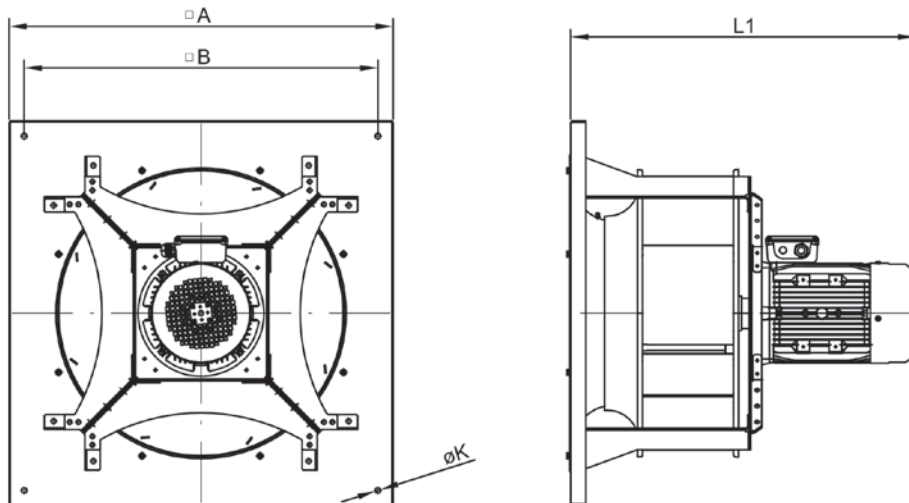
Dimensions mm

Horizontal



	□A	B	□C	D	E	F	G	H	I	ØJ	ØK	L1
PF-1028-2T-0.75	375	215	400	415	405	345	70	-	300	9	9	417
PF-1028-2T-1	375	215	400	415	405	345	70	-	300	9	9	450
PF-1028-2T-1.5	375	215	400	415	405	345	70	-	300	9	9	450
PF-1028-2T-2	375	215	400	415	405	345	70	-	300	9	9	458
PF-1028-4T-0.5	375	215	400	415	405	345	70	-	300	9	9	417

Vertical



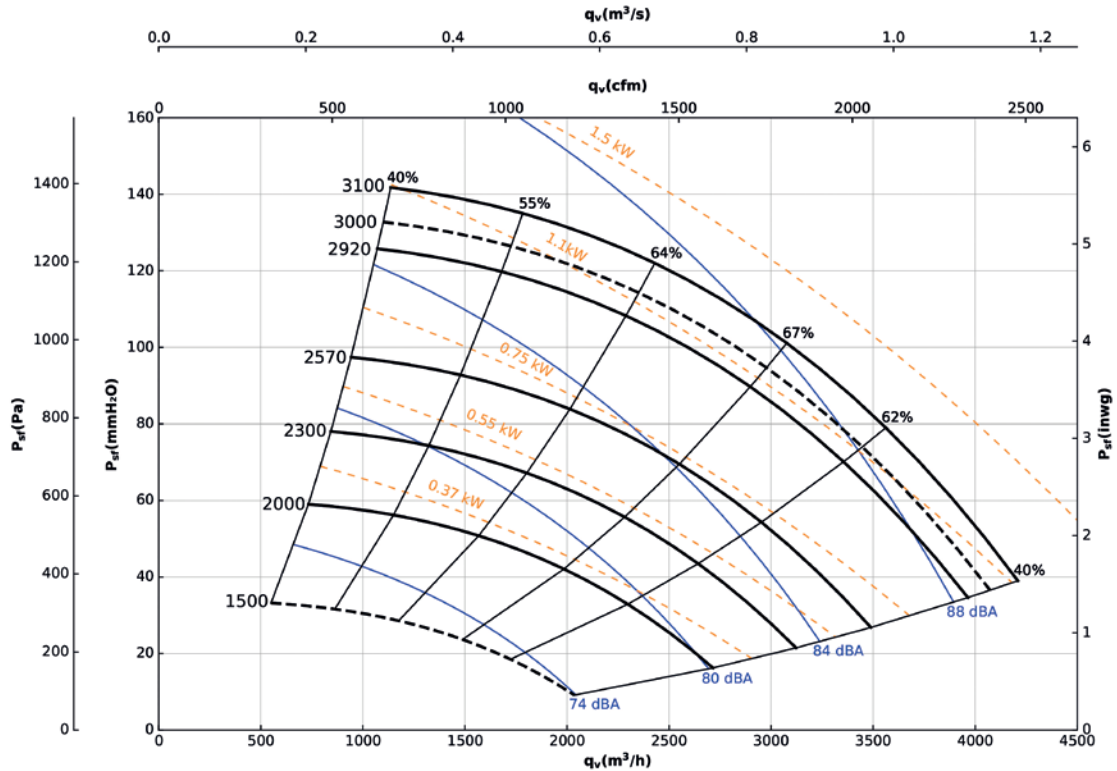
	□A	□B	ØK	L1
PF-1028-2T-0.75	390	420	11	417
PF-1028-2T-1	390	420	11	450
PF-1028-2T-1.5	390	420	11	450
PF-1028-2T-2	390	420	11	458
PF-1028-4T-0.5	390	420	11	417

1031

Characteristic curves

Q= Flow rate in m³/h, m³/s and cfm

Pe= Static pressure in mm H₂O, Pa and inwg



Technical characteristics

Model	Nominal speed ¹	Maximum admissible current (A)		Installed power (kW)	Max. speed (r/min)	Maximum frequency (Hz)	Approx. weight (Kg)	According ErP*
	(r/min)	230V	400V					
PF-1031-2T-1.5 IE3	2830	4.03	2.34	1.1	2920	52	30	2020
PF-1031-2T-2 IE3	2875	5.34	3.07	1.5	3100	54	34	2020
PF-1031-4T-0.5	1370	2.02	1.17	0.37	2000	73	27	2020
PF-1031-4T-0.75	1380	2.92	1.69	0.55	2300	83	30	2020
PF-1031-4T-1 IE3	1420	2.82	2.62	0.75	2570	90	30	2020

* In accordance with the ErP 2020 draft
¹ The indicated values are determined to 50 Hz motors.

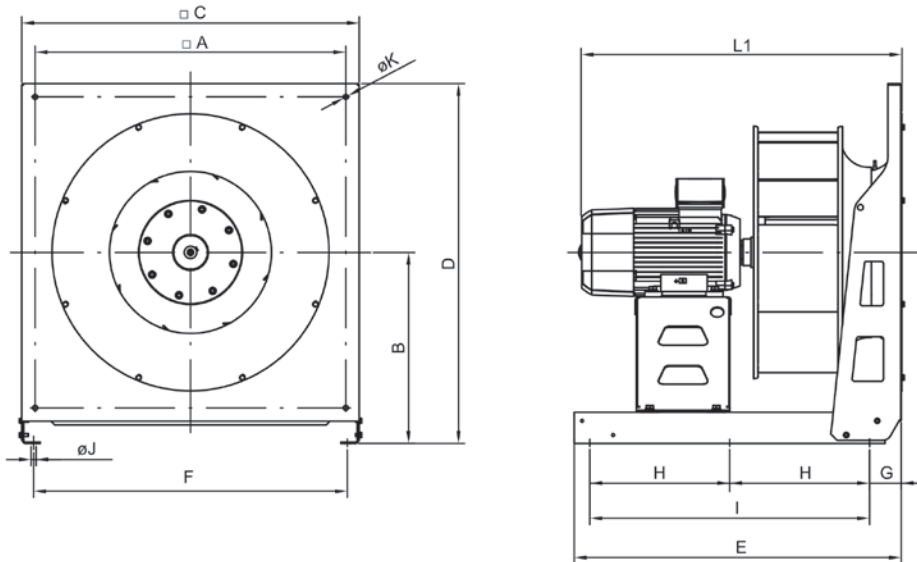
Model	Nominal speed ¹ (r/min)	Maximum admissible current (A)		Installed power (kW)	Max. speed (r/min)	Maximum frequency (Hz)	Approx. weight (Kg)	
		230V	400V				Ex eb	Ex db
PF/ATEX-1031-2T-1.5	2850	4.50	2.60	1.1	2920	51	25	26
PF/ATEX-1031-2T-2	2800	6.24	3.60	1.5	3100	55	27	32
PF/ATEX-1031-4T-0.5	1370	2.60	1.50	0.37	2000	73	25	27
PF/ATEX-1031-4T-0.75	1410	2.94	1.70	0.55	2300	82	28	31
PF/ATEX-1031-4T-1	1410	3.81	2.20	0.75	2570	91	26	28

¹ The indicated values are determined to 50 Hz motors.

1031

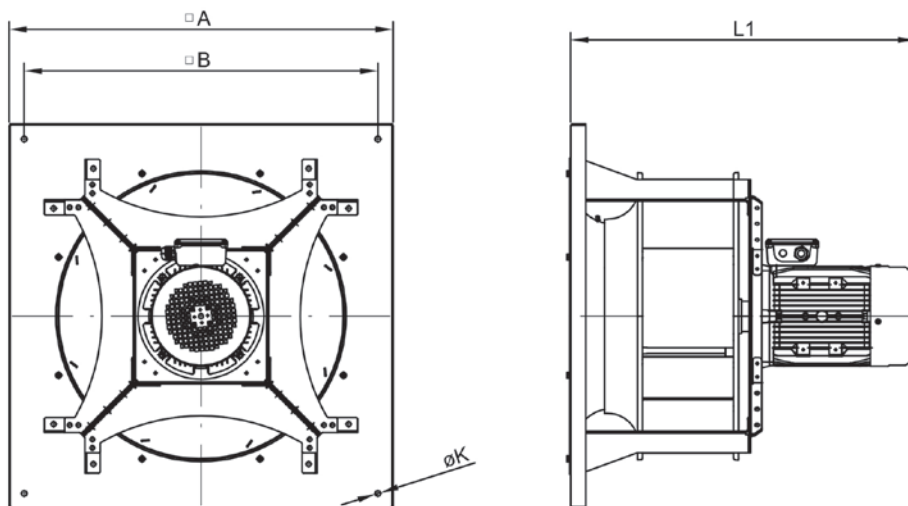
Dimensions mm

Horizontal



	□A	B	□C	D	E	F	G	H	I	ØJ	ØK	L1
PF-1031-2T-1.5	375	215	400	415	505	345	70	-	400	9	9	460
PF-1031-2T-2	375	215	400	415	505	345	70	-	400	9	9	471
PF-1031-4T-0.5	375	215	400	415	505	345	70	-	400	9	9	428
PF-1031-4T-0.75	375	215	400	415	505	345	70	-	400	9	9	460
PF-1031-4T-1	375	215	400	415	505	345	70	-	400	9	9	460

Vertical



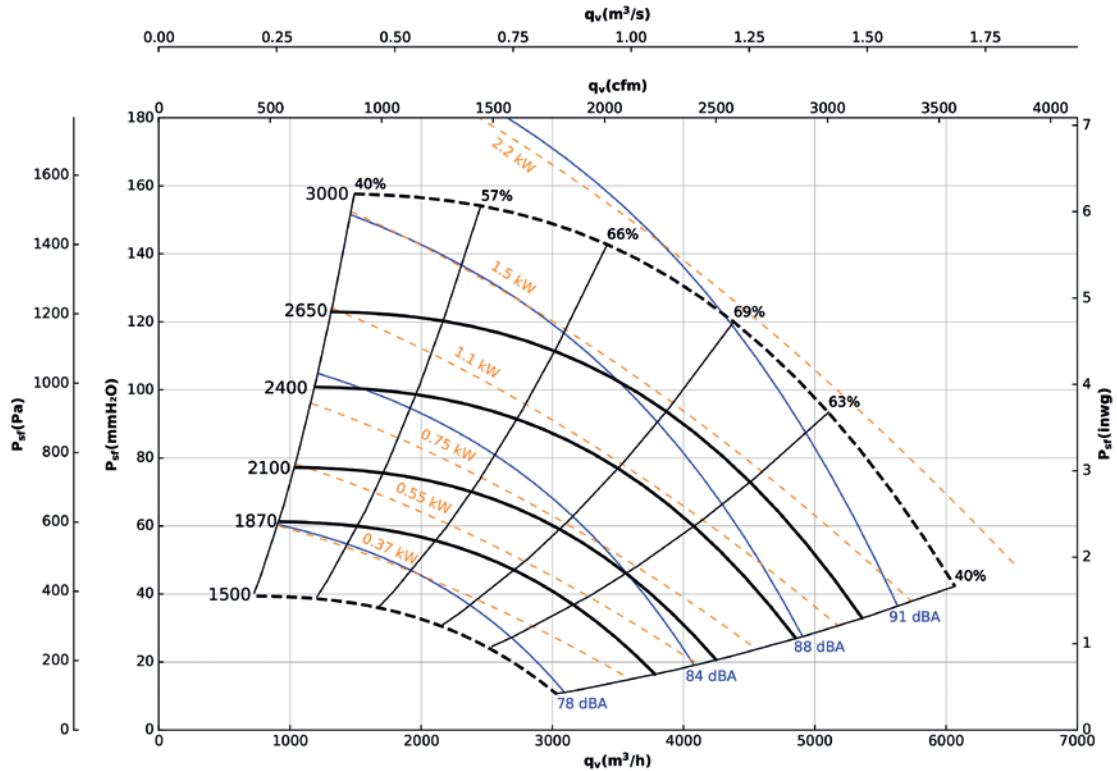
	□A	□B	ØK	L1
PF-1031-2T-1.5	434	470	11	460
PF-1031-2T-2	434	470	11	471
PF-1031-4T-0.5	434	470	11	428
PF-1031-4T-0.75	434	470	11	460
PF-1031-4T-1	434	470	11	460

1135

Characteristic curves

Q= Flow rate in m³/h, m³/s and cfm

Pe= Static pressure in mm H₂O, Pa and inwg



Technical characteristics

Model	Nominal speed ¹ (r/min)	Maximum admissible current (A)		Installed power (kW)	Max. speed (r/min)	Maximum frequency (Hz)	Approx. weight (Kg)	According ErP*
		230V	400V					
PF-1135-2T-3 IE3	2910	7.32	4.21	2.2	3000	52	44	2020
PF-1135-4T-0.75	1380	2.92	1.69	0.55	1870	68	36	2020
PF-1135-4T-1 IE3	1420	2.82	1.62	0.75	2100	74	41	2020
PF-1135-4T-1.5 IE3	1455	4.07	2.34	1.1	2400	82	46	2020
PF-1135-4T-2 IE3	1440	5.41	3.11	1.5	2650	92	45	2020

* In accordance with the ErP 2020 draft
¹ The indicated values are determined to 50 Hz motors.

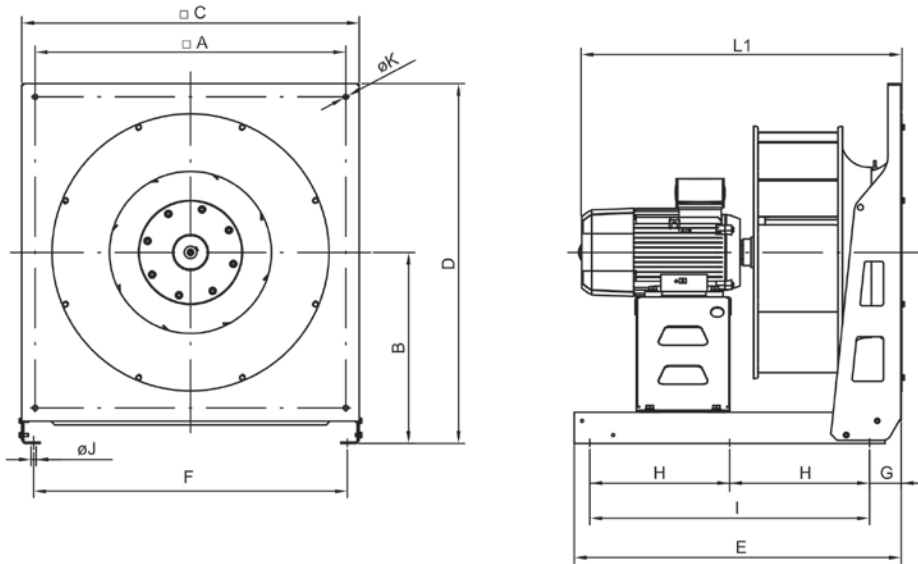
Model	Nominal speed ¹ (r/min)	Maximum admissible current (A)		Installed power (kW)	Max. speed (r/min)	Maximum frequency (Hz)	Approx. weight (Kg)	
		230V	400V				Ex eb	Ex db
PF/ATEX-1135-2T-3	2860	8.66	5.00	2.2	3000	52	28	31
PF/ATEX-1135-4T-0.75	1410	2.94	1.70	0.55	1870	66	34	37
PF/ATEX-1135-4T-1	1410	3.81	2.20	0.75	2100	74	37	39
PF/ATEX-1135-4T-1.5	1410	5.20	3.00	1.1	2400	85	39	43
PF/ATEX-1135-4T-2	1400	6.93	4.00	1.5	2650	95	30	33

¹ The indicated values are determined to 50 Hz motors.

1135

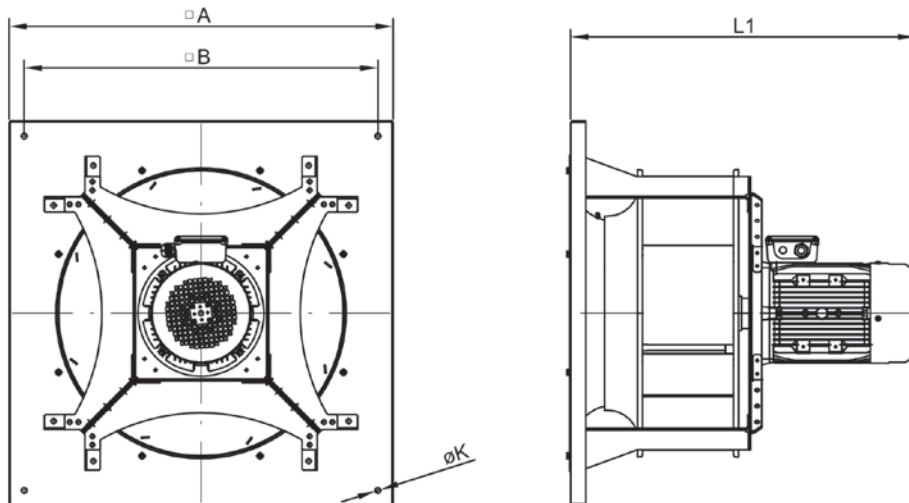
Dimensions mm

Horizontal



	□A	B	□C	D	E	F	G	H	I	ØJ	ØK	L1
PF-1135-2T-3	475	270	500	520	505	445	70	-	400	9	9	495
PF-1135-4T-0.75	475	270	500	520	505	445	70	-	400	9	9	487
PF-1135-4T-1	475	270	500	520	505	445	70	-	400	9	9	487
PF-1135-4T-1.5	475	270	500	520	505	445	70	-	400	9	9	495
PF-1135-4T-2	475	270	500	520	505	445	70	-	400	9	9	495

Vertical

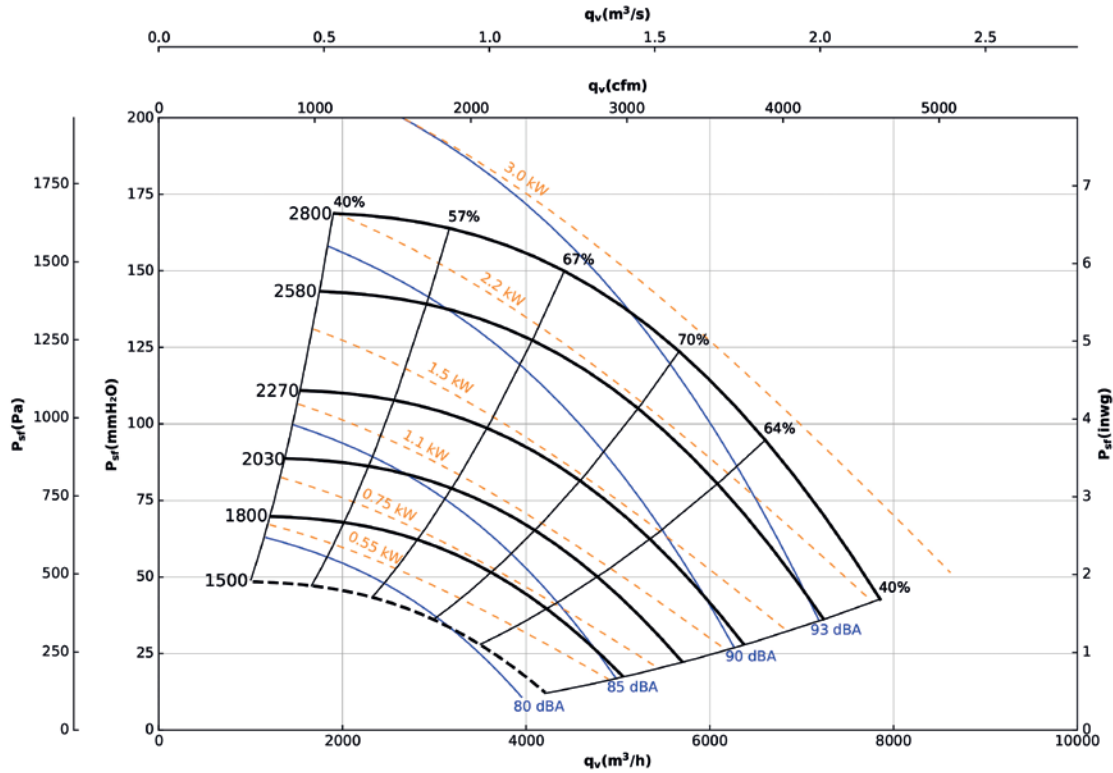


	□A	□B	ØK	L1
PF-1135-2T-3	470	500	11	495
PF-1135-4T-0.75	470	500	11	487
PF-1135-4T-1	470	500	11	487
PF-1135-4T-1.5	470	500	11	495
PF-1135-4T-2	470	500	11	495

1240

Characteristic curves

Q= Flow rate in m³/h, m³/s and cfm Pe= Static pressure in mm H₂O, Pa and inwg



Technical characteristics

Model	Nominal speed ¹ (r/min)	Maximum admissible current (A)		Installed power (kW)	Max. speed (r/min)	Maximum frequency (Hz)	Approx. weight (Kg)	According ErP*
		230V	400V					
PF-1240-4T-1 IE3	1420	2.82	1.62	0.75	1800	63	43	2020
PF-1240-4T-1.5 IE3	1455	4.07	2.34	1.1	2030	70	47	2020
PF-1240-4T-2 IE3	1440	5.41	3.11	1.5	2270	79	46	2020
PF-1240-4T-3 IE3	1435	7.93	4.56	2.2	2580	90	58	2020
PF-1240-4T-4 IE3	1440	10.7	6.15	3	2800	97	58	2020

* In accordance with the ErP 2020 draft
¹ The indicated values are determined to 50 Hz motors.

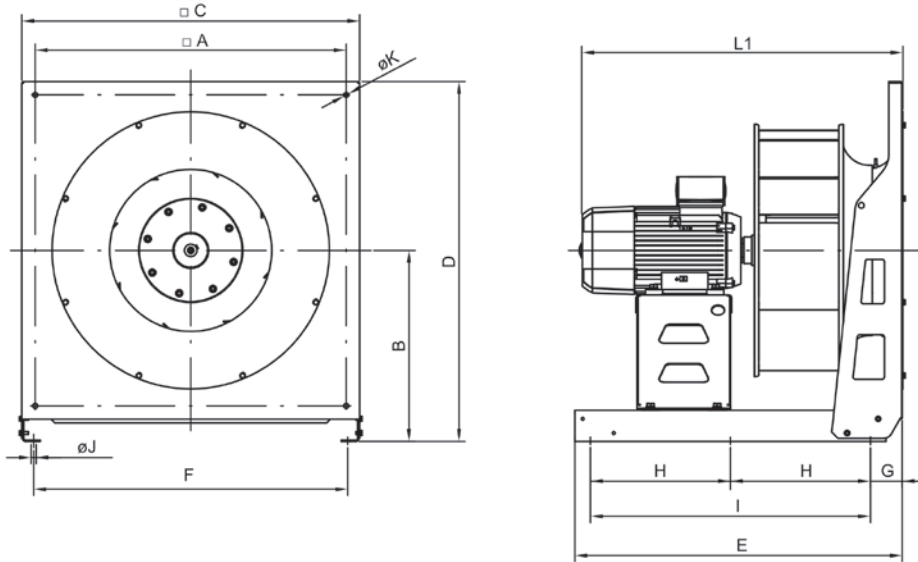
Model	Nominal speed ¹ (r/min)	Maximum admissible current (A)		Installed power (kW)	Max. speed (r/min)	Maximum frequency (Hz)	Approx. weight (Kg)	
		230V	400V				Ex eb	Ex db
PF/ATEX-1240-4T-1	1410	3.81	2.20	0.75	1800	64	39	41
PF/ATEX-1240-4T-1.5	1410	5.20	3.00	1.1	2030	72	40	44
PF/ATEX-1240-4T-2	1400	6.93	4.00	1.5	2270	81	31	34
PF/ATEX-1240-4T-3	1410	9.01	2.50	2.2	2580	91	48	50
PF/ATEX-1240-4T-4	1440	12.30	7.10	3	2800	97	45	46

¹ The indicated values are determined to 50 Hz motors.

1240

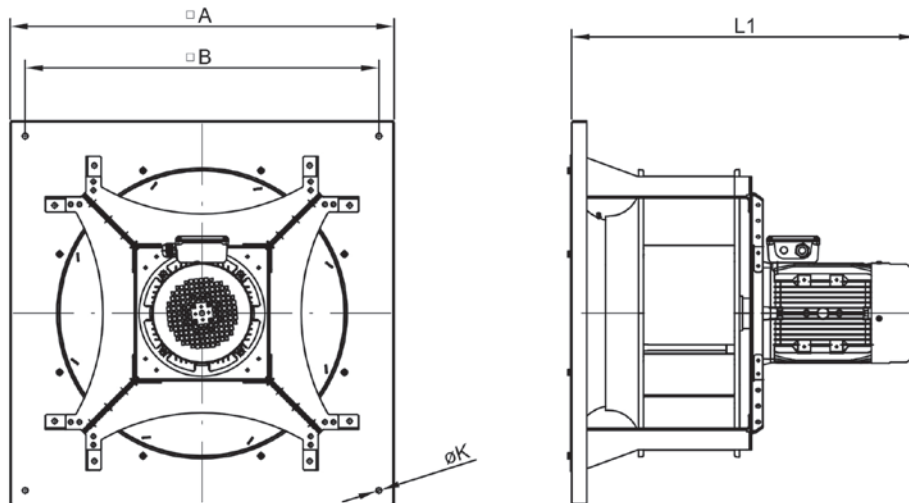
Dimensions mm

Horizontal



	□A	B	□C	D	E	F	G	H	I	ØJ	ØK	L1
PF-1240-4T-1	475	270	500	520	505	445	70	-	400	9	9	510
PF-1240-4T-1.5	475	270	500	520	505	445	70	-	400	9	9	517
PF-1240-4T-2	475	270	500	520	505	445	70	-	400	9	9	517
PF-1240-4T-3	475	270	500	520	505	445	70	-	400	9	9	582
PF-1240-4T-4	475	270	500	520	505	445	70	-	400	9	9	582

Vertical

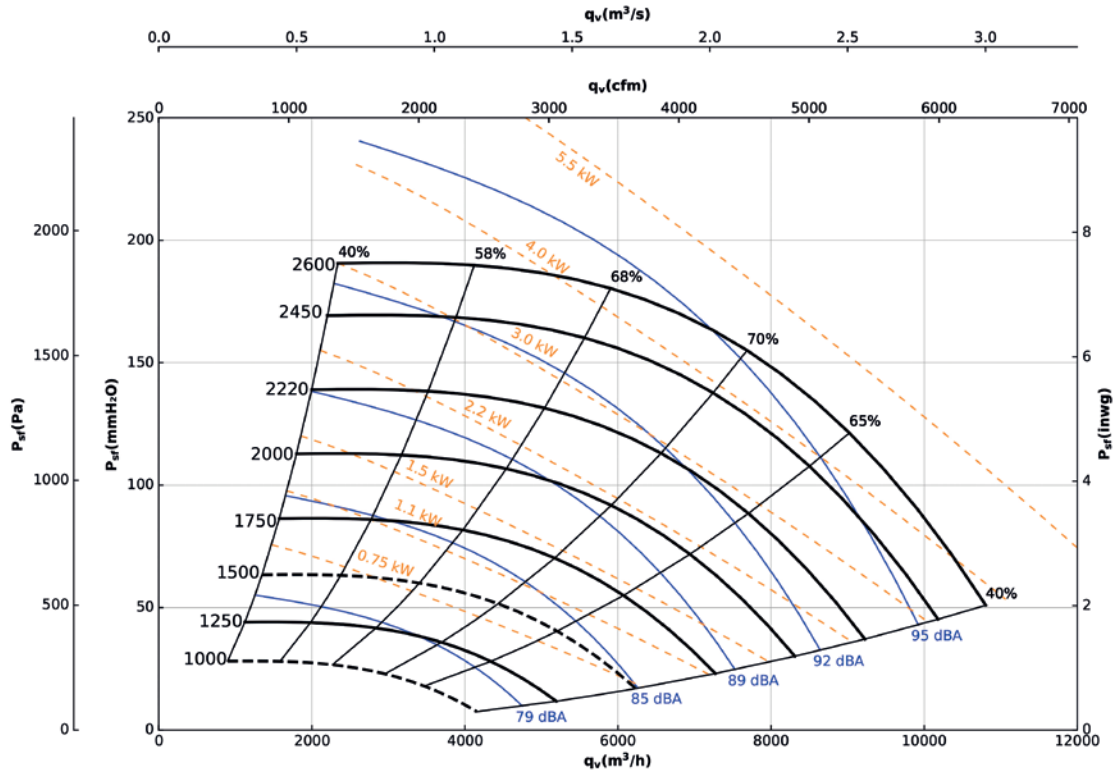


	□A	□B	ØK	L1
PF-1240-4T-1	519	550	11	510
PF-1240-4T-1.5	519	550	11	517
PF-1240-4T-2	519	550	11	517
PF-1240-4T-3	519	550	11	582
PF-1240-4T-4	519	550	11	582

1445

Characteristic curves

Q= Flow rate in m³/h, m³/s and cfm Pe= Static pressure in mm H₂O, Pa and inwg



Technical characteristics

Model	Nominal speed ¹ (r/min)	Maximum admissible current (A)			Installed power (kW)	Max. speed (r/min)	Maximum frequency (Hz)	Approx. weight (Kg)	According ErP*
		230V	400V	690V					
PF-1445-4T-2 IE3	1440	5.41	3.11	-	1.5	1750	61	61	2020
PF-1445-4T-3 IE3	1435	7.93	4.56	-	2.2	2000	70	73	2020
PF-1445-4T-4 IE3	1440	10.70	6.15	-	3	2220	77	73	2020
PF-1445-4T-5.5 IE3	1450	13.90	8.00	-	4	2450	84	82	2020
PF-1445-4T-7.5 IE3	1465	-	10.30	5.97	5.5	2600	89	106	2020

* In accordance with the ErP 2020 draft
¹ The indicated values are determined to 50 Hz motors.

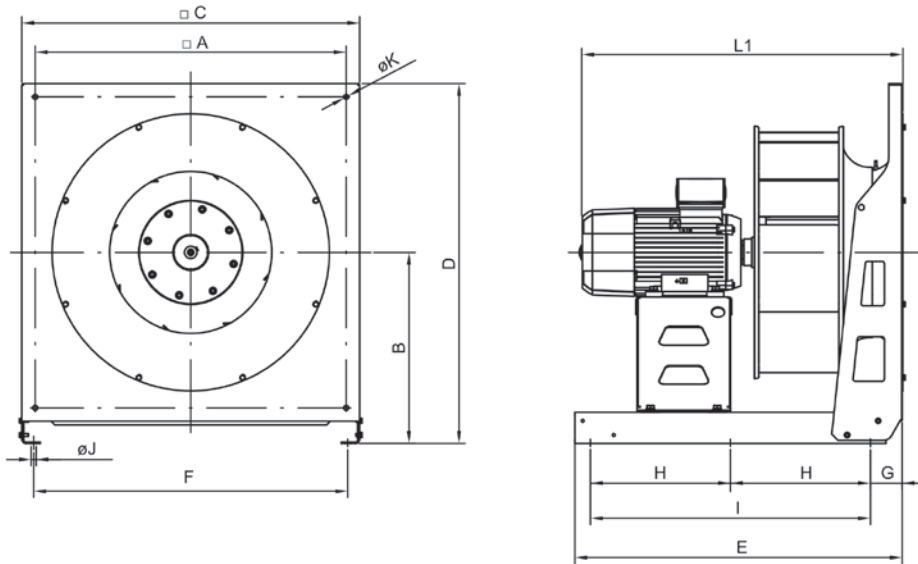
Model	Nominal speed ¹ (r/min)	Maximum admissible current (A)			Installed power (kW)	Max. speed (r/min)	Maximum frequency (Hz)	Approx. weight (Kg)	
		230V	400V	690V				Ex eb	Ex db
PF/ATEX-1445-4T-2	1400	6.93	4.00	-	1.5	1750	63	46	49
PF/ATEX-1445-4T-3	1410	9.01	2.50	-	2.2	2000	71	63	65
PF/ATEX-1445-4T-4	1440	12.30	7.10	-	3	2220	77	60	61
PF/ATEX-1445-4T-5.5	1450	15.76	9.10	-	4	2450	84	69	73
PF/ATEX-1445-4T-7.5	1440	-	12.00	6.93	5.5	2600	90	72	97

¹ The indicated values are determined to 50 Hz motors.

1445

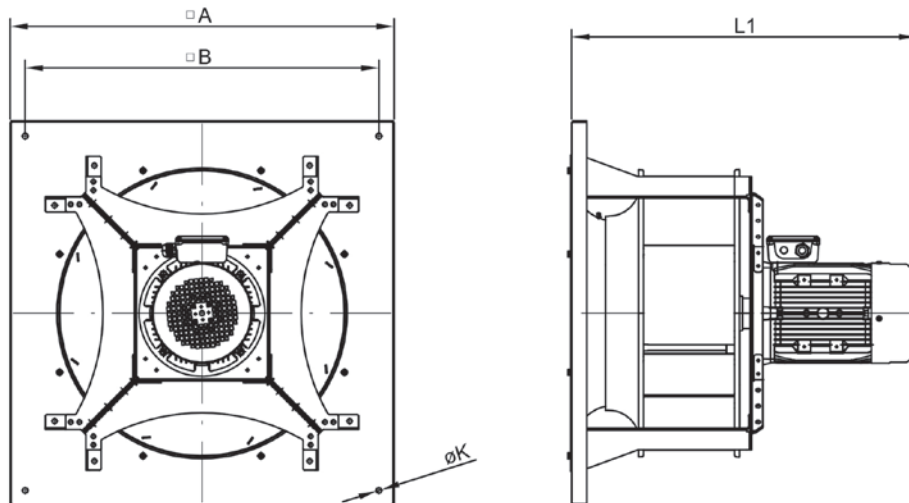
Dimensions mm

Horizontal



	□A	B	□C	D	E	F	G	H	I	ØJ	ØK	L1
PF-1445-4T-2	580	335	630	650	605	575	70	-	500	9	9	587
PF-1445-4T-3	580	335	630	650	605	575	70	-	500	9	9	610
PF-1445-4T-4	580	335	630	650	605	575	70	-	500	9	9	610
PF-1445-4T-5.5	580	335	630	650	605	575	70	-	500	9	9	625
PF-1445-4T-7.5	580	335	630	650	705	575	70	-	600	9	9	645

Vertical

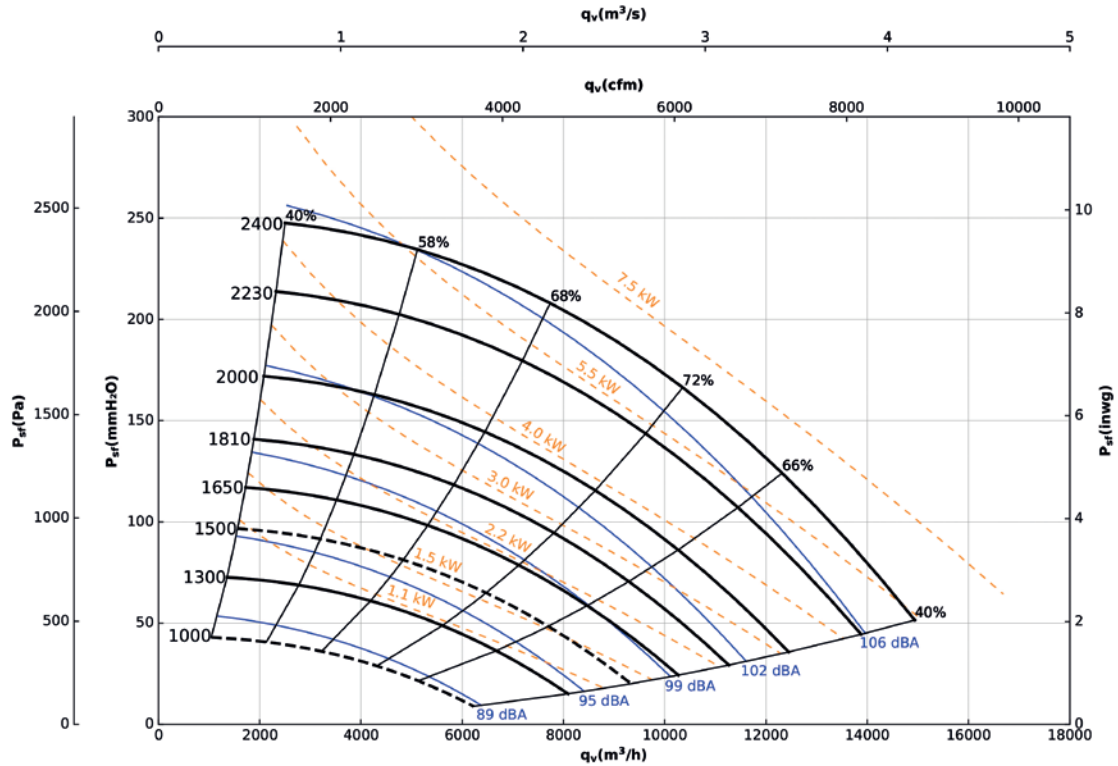


	□A	□B	ØK	L1
PF-1445-4T-2	580	630	11	587
PF-1445-4T-3	580	630	11	610
PF-1445-4T-4	580	630	11	610
PF-1445-4T-5.5	580	630	11	625
PF-1445-4T-7.5	580	630	11	645

1650

Characteristic curves

Q= Flow rate in m³/h, m³/s and cfm Pe= Static pressure in mm H₂O, Pa and inwg



Technical characteristics

Model	Nominal speed ¹ (r/min)	Maximum admissible current (A)			Installed power (kW)	Max. speed (r/min)	Maximum frequency (Hz)	Approx. weight (Kg)	According ErP*
		230V	400V	690V					
PF-1650-4T-2 IE3	1440	5.41	3.11	-	1.5	1440	50	65	2020
PF-1650-4T-3 IE3	1435	7.93	4.56	-	2.2	1650	57	77	2020
PF-1650-4T-4 IE3	1440	10.70	6.15	-	3	1810	63	77	2020
PF-1650-4T-5.5 IE3	1450	13.90	8.00	-	4	2000	69	86	2020
PF-1650-4T-7.5 IE3	1465	-	10.30	5.97	5.5	2230	76	109	2020
PF-1650-4T-10 IE3	1465	-	13.90	8.06	7.5	2400	82	110	2020

* In accordance with the ErP 2020 draft
¹ The indicated values are determined to 50 Hz motors.

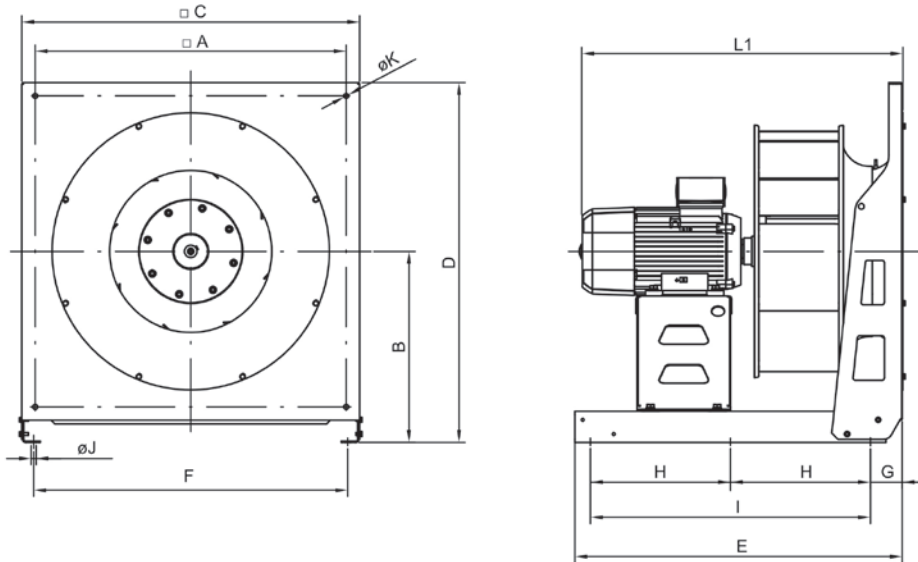
Model	Nominal speed ¹ (r/min)	Maximum admissible current (A)			Installed power (kW)	Max. speed (r/min)	Maximum frequency (Hz)	Approx. weight (Kg)	
		230V	400V	690V				Ex eb	Ex db
PF/ATEX-1650-4T-2	1400	6.93	4.00	-	1.5	1440	51	50	53
PF/ATEX-1650-4T-3	1410	9.01	2.50	-	2.2	1650	59	67	69
PF/ATEX-1650-4T-4	1440	12.30	7.10	-	3	1810	63	64	65
PF/ATEX-1650-4T-5.5	1450	15.76	9.10	-	4	2000	69	73	77
PF/ATEX-1650-4T-7.5	1440	-	12.00	6.93	5.5	2230	77	75	100
PF/ATEX-1650-4T-10	1448	-	16.30	9.41	7.5	2400	83	79	98

¹ The indicated values are determined to 50 Hz motors.

1650

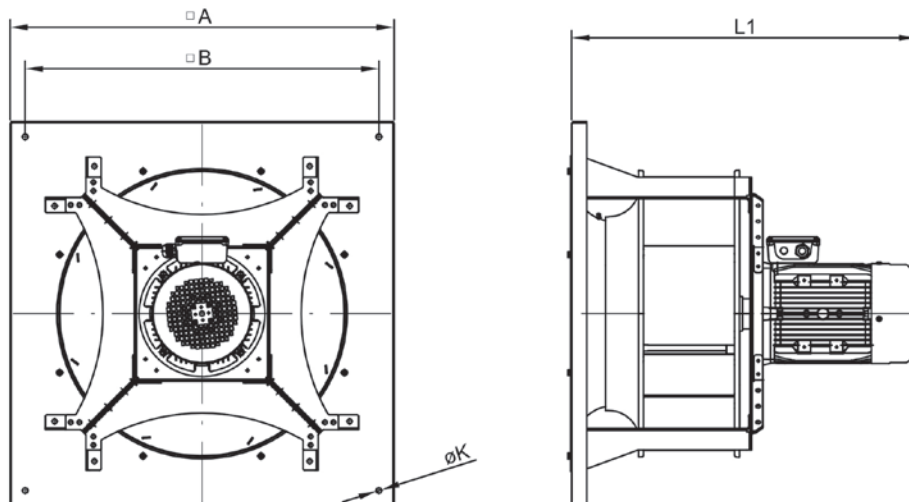
Dimensions mm

Horizontal



	□A	B	□C	D	E	F	G	H	I	ØJ	ØK	L1
PF-1650-4T-2	600	335	630	650	705	575	70	-	600	9	9	585
PF-1650-4T-3	600	335	630	650	705	575	70	-	600	9	9	647
PF-1650-4T-4	600	335	630	650	705	575	70	-	600	9	9	647
PF-1650-4T-5.5	600	335	630	650	705	575	70	-	600	9	9	662
PF-1650-4T-7.5	600	335	630	650	705	575	70	-	600	9	9	680
PF-1650-4T-10	600	335	630	650	705	575	70	-	600	9	9	680

Vertical

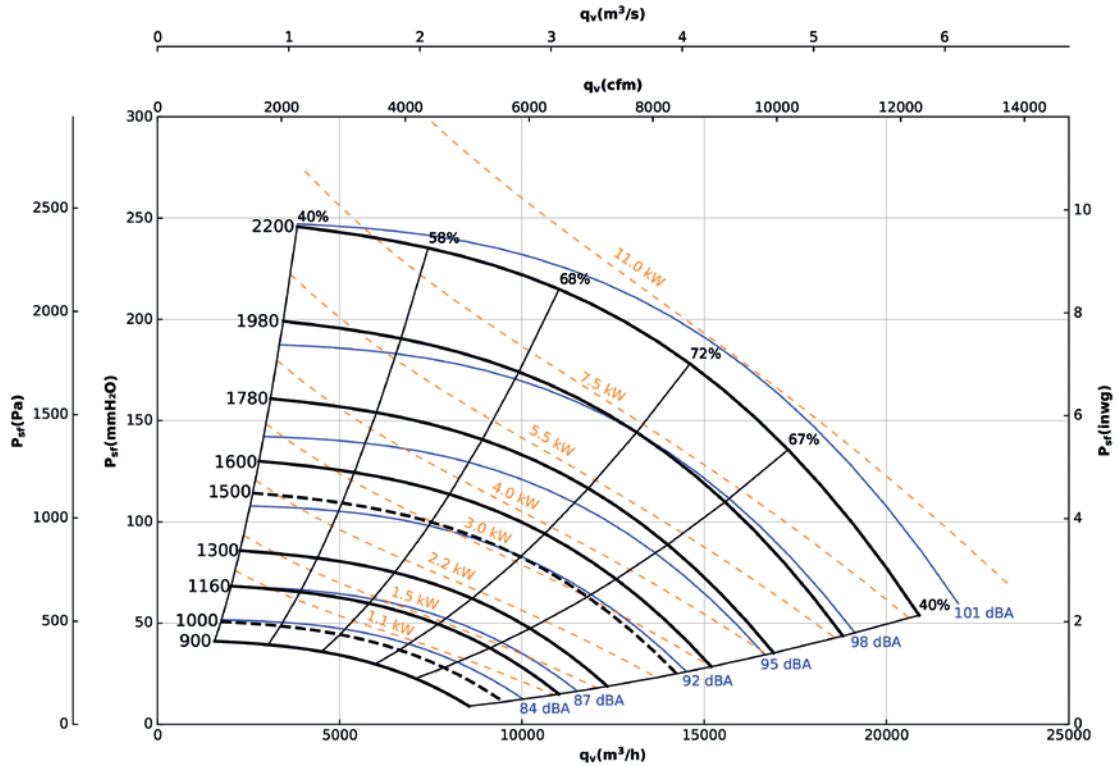


	□A	□B	ØK	L1
PF-1650-4T-2	635	670	11	585
PF-1650-4T-3	635	670	11	647
PF-1650-4T-4	635	670	11	647
PF-1650-4T-5.5	635	670	11	662
PF-1650-4T-7.5	635	670	11	680
PF-1650-4T-10	635	670	11	680

1856

Characteristic curves

Q= Flow rate in m³/h, m³/s and cfm Pe= Static pressure in mm H₂O, Pa and inwg



Technical characteristics

Model	Nominal speed ¹ (r/min)	Maximum admissible current (A)			Installed power (kW)	Max. speed (r/min)	Maximum frequency (Hz)	Approx. weight (Kg)	According to ErP*
		230V	400V	690V					
PF-1856-4T-3 IE3	1435	7.93	4.56	-	2.2	1300	45	99	2020
PF-1856-4T-4 IE3	1440	10.70	6.15	-	3	1450	50	99	2020
PF-1856-4T-5.5 IE3	1450	13.90	8.00	-	4	1600	55	108	2020
PF-1856-4T-7.5 IE3	1465	-	10.30	5.97	5.5	1780	61	132	2020
PF-1856-4T-10 IE3	1465	-	13.90	8.06	7.5	1980	68	133	2020
PF-1856-4T-15 IE3	1470	-	20.90	12.10	11	2200	75	201	2020
PF-1856-6T-2 IE3	950	6.43	3.70	-	1.5	1160	61	94	2020

* In accordance with the ErP 2020 draft
¹ The indicated values are determined to 50 Hz motors.

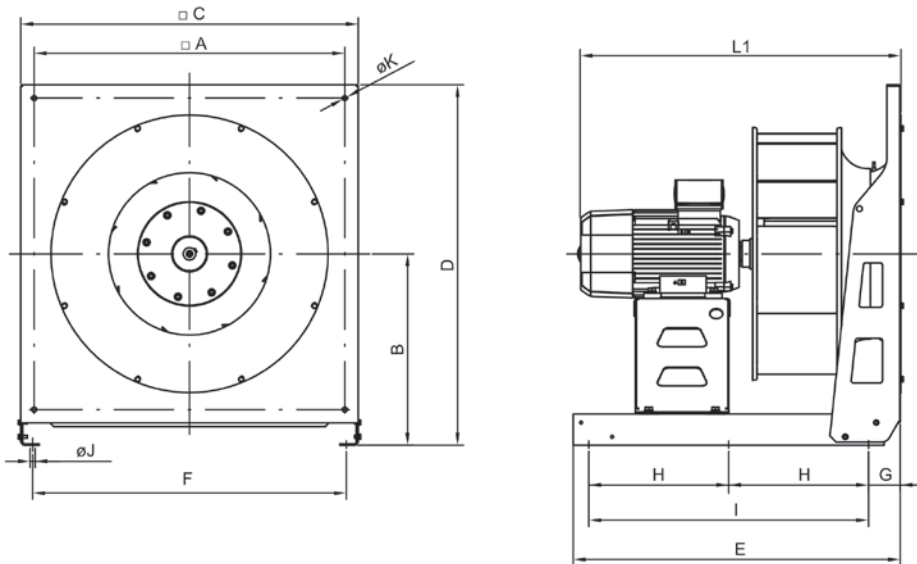
Model	Nominal speed ¹ (r/min)	Maximum admissible current (A)			Installed power (kW)	Max. speed (r/min)	Maximum frequency (Hz)	Approx. weight (Kg)	
		230V	400V	690V				Ex eb	Ex db
PF/ATEX-1856-4T-3	1410	9.01	2.50	-	2.2	1300	46	89	91
PF/ATEX-1856-4T-4	1440	12.30	7.10	-	3	1450	50	86	87
PF/ATEX-1856-4T-5.5	1450	15.76	9.10	-	4	1600	55	95	99
PF/ATEX-1856-4T-7.5	1440	-	12.00	6.93	5.5	1780	62	98	123
PF/ATEX-1856-4T-10	1448	-	16.30	9.41	7.5	1980	68	102	121
PF/ATEX-1856-4T-15	1460	-	23.80	13.74	11	2200	75	197	193
PF/ATEX-1856-6T-2	940	7.62	4.40	-	1.5	1160	62	81	87

¹ The indicated values are determined to 50 Hz motors.

1856

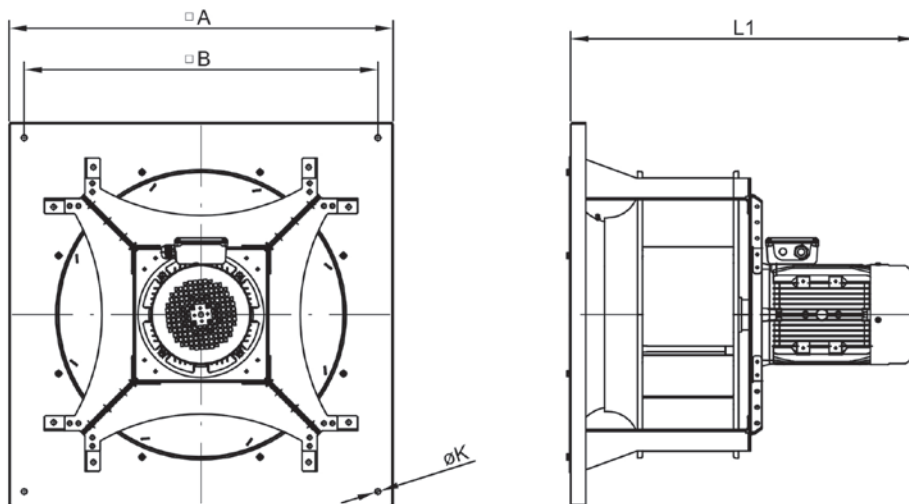
Dimensions mm

Horizontal



	□A	B	□C	D	E	F	G	H	I	ØJ	ØK	L1
PF-1856-4T-3	700	430	760	810	705	710	70	-	600	9	9	690
PF-1856-4T-4	700	430	760	810	705	710	70	-	600	9	9	690
PF-1856-4T-5.5	700	430	760	810	705	710	70	-	600	9	9	704
PF-1856-4T-7.5	700	430	760	810	805	710	70	-	700	9	9	720
PF-1856-4T-10	700	430	760	810	805	710	70	-	700	9	9	720
PF-1856-4T-15	700	430	760	810	805	710	70	-	700	9	9	892
PF-1856-6T-2	700	430	760	810	705	710	70	-	600	9	9	690

Vertical



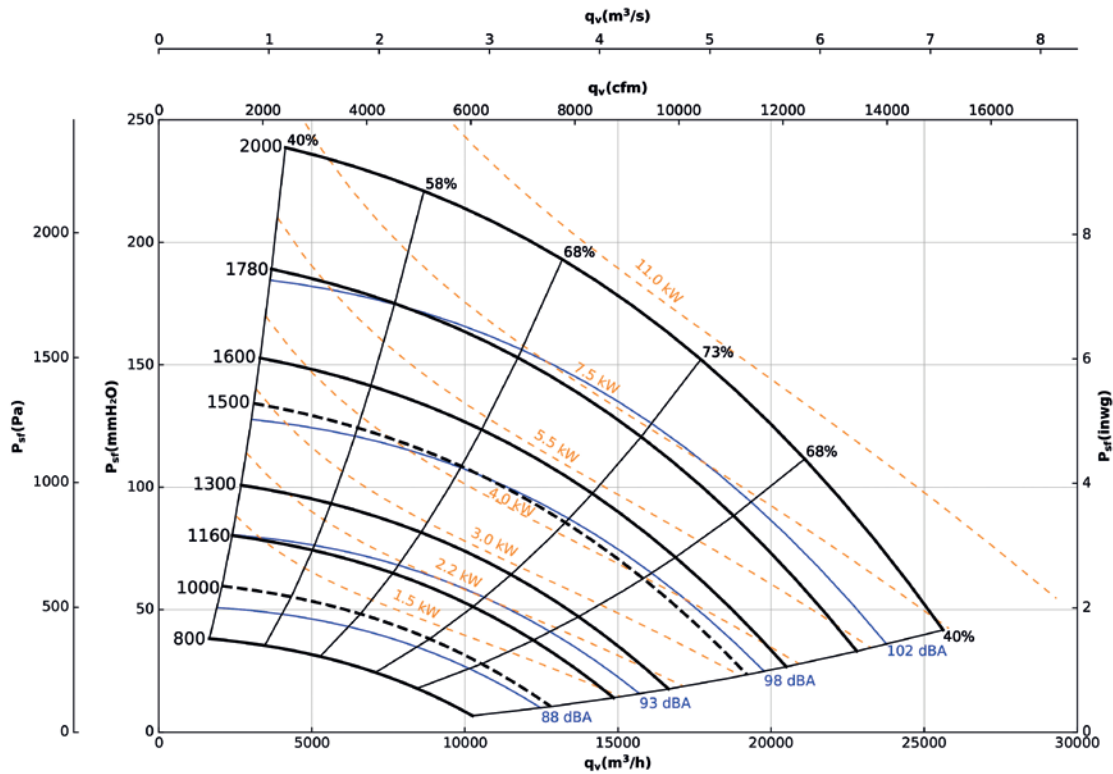
	□A	□B	ØK	L1
PF-1856-4T-3	689	730	11	690
PF-1856-4T-4	689	730	11	690
PF-1856-4T-5.5	689	730	11	704
PF-1856-4T-7.5	689	730	11	720
PF-1856-4T-10	689	730	11	720
PF-1856-4T-15	689	730	11	892
PF-1856-6T-2	689	730	11	690

1663

Characteristic curves

Q= Flow rate in m³/h, m³/s and cfm

Pe= Static pressure in mm H₂O, Pa and inwg



Technical characteristics

Model	Nominal speed ¹ (r/min)	Maximum admissible current (A)			Installed power (kW)	Max. speed (r/min)	Maximum frequency (Hz)	Approx. weight (Kg)	According ErP*
		230V	400V	690V					
PF-1663-4T-5.5 IE3	1450	13.90	8.00	-	4	1440	50	115	2020
PF-1663-4T-7.5 IE3	1465	-	10.30	5.97	5.5	1600	55	138	2020
PF-1663-4T-10 IE3	1465	-	13.90	8.06	7.5	1780	61	139	2020
PF-1663-4T-15 IE3	1470	-	20.90	12.10	11	2000	68	208	2020
PF-1663-6T-3 IE3	950	9.08	5.22	-	2.2	1160	61	110	2020
PF-1663-6T-4 IE3	970	12.00	6.91	-	3	1300	67	128	2020

* In accordance with the ErP 2020 draft
¹ The indicated values are determined to 50 Hz motors.

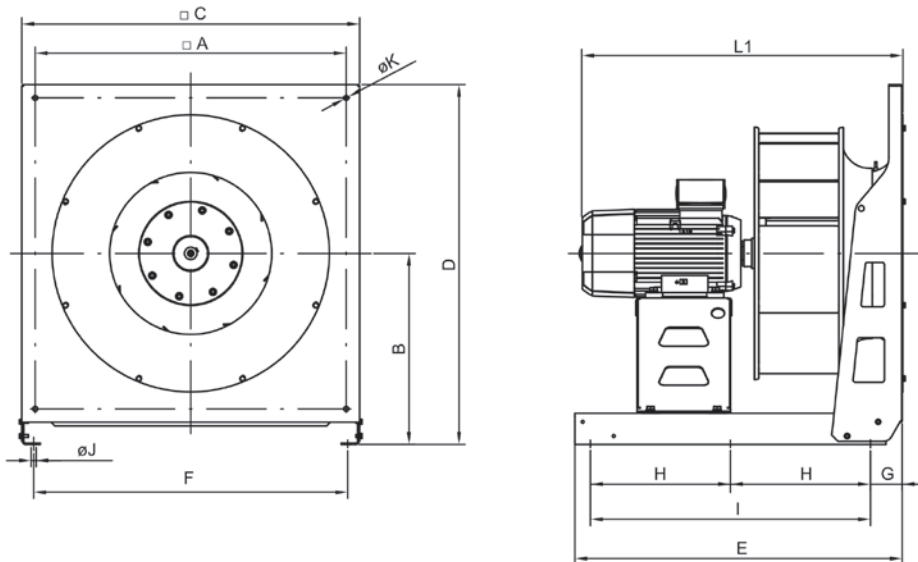
Model	Nominal speed ¹ (r/min)	Maximum admissible current (A)			Installed power (kW)	Max. speed (r/min)	Maximum frequency (Hz)	Approx. weight (Kg)	
		230V	400V	690V				Ex eb	Ex db
PF/ATEX-1663-4T-5.5	1450	15.76	9.10	-	4	1440	50	102	106
PF/ATEX-1663-4T-7.5	1440	-	12.00	6.93	5.5	1600	56	104	129
PF/ATEX-1663-4T-10	1448	-	16.30	9.41	7.5	1780	61	108	127
PF/ATEX-1663-4T-15	1460	-	23.80	13.74	11	2000	68	204	200
PF/ATEX-1663-6T-3	940	9.65	5.40	-	2.2	1160	62	93	103
PF/ATEX-1663-6T-4	945	14.72	8.50	-	3	1300	69	103	129

¹ The indicated values are determined to 50 Hz motors.

1663

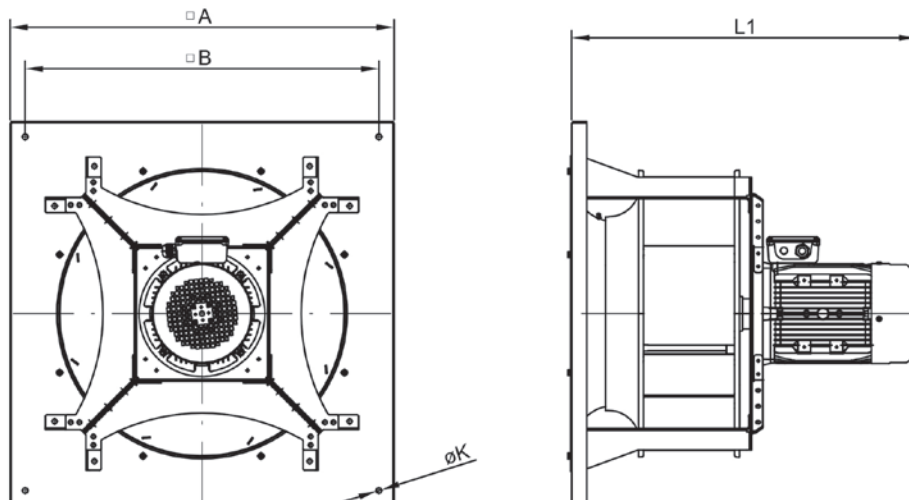
Dimensions mm

Horizontal



	□A	B	□C	D	E	F	G	H	I	ØJ	ØK	L1
PF-1663-4T-5.5	700	430	760	810	805	705	70	-	700	11	9	776
PF-1663-4T-7.5	700	430	760	810	805	705	70	-	700	11	9	792
PF-1663-4T-10	700	430	760	810	805	705	70	-	700	11	9	792
PF-1663-4T-15	700	430	760	810	905	705	70	400	800	11	9	964
PF-1663-6T-3	700	430	760	810	805	705	70	-	700	11	9	776
PF-1663-6T-4	700	430	760	810	805	705	70	-	700	11	9	792

Vertical

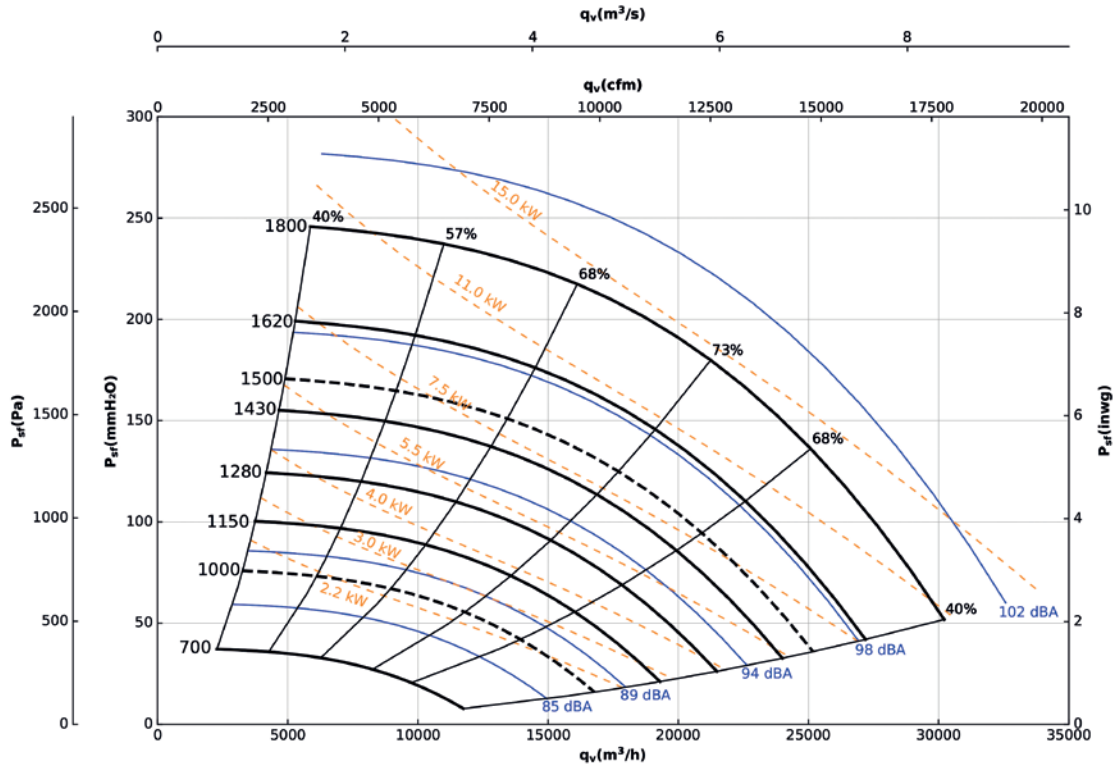


	□A	□B	ØK	L1
PF-1663-4T-5.5	800	840	11	776
PF-1663-4T-7.5	800	840	11	792
PF-1663-4T-10	800	840	11	792
PF-1663-4T-15	800	840	11	964
PF-1663-6T-3	800	840	11	776
PF-1663-6T-4	800	840	11	792

1871

Characteristic curves

Q= Flow rate in m³/h, m³/s and cfm Pe= Static pressure in mm H₂O, Pa and inwg



Technical characteristics

Model	Nominal speed ¹ (r/min)	Maximum admissible current (A)			Installed power (kW)	Max. speed (r/min)	Maximum frequency (Hz)	Approx. weight (Kg)	According ErP*
		230V	400V	690V					
PF-1871-4T-7.5 IE3	1465	-	10.30	5.97	5.5	1280	44	210	2020
PF-1871-4T-10 IE3	1465	-	13.90	8.06	7.5	1430	49	206	2020
PF-1871-4T-15 IE3	1470	-	20.90	12.10	11	1620	55	277	2020
PF-1871-4T-20 IE3	1465	-	27.90	16.20	15	1800	61	296	2020
PF-1871-6T-4 IE3	970	12.00	6.91	-	3	1050	54	195	2020
PF-1871-6T-5.5 IE3	960	15.60	8.99	-	4	1150	60	206	2020

* In accordance with the ErP 2020 draft
¹ The indicated values are determined to 50 Hz motors.

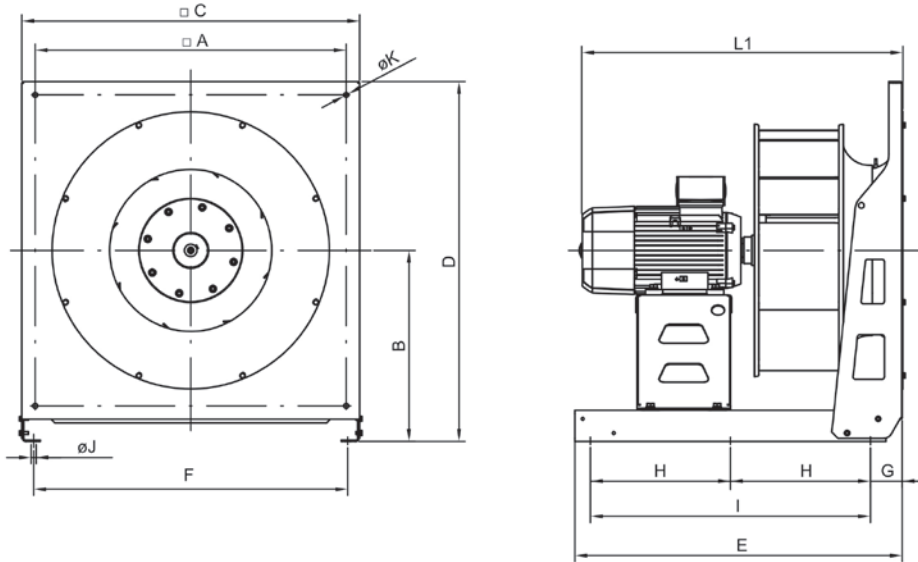
Model	Nominal speed ¹ (r/min)	Maximum admissible current (A)			Installed power (kW)	Max. speed (r/min)	Maximum frequency (Hz)	Approx. weight (Kg)	
		230V	400V	690V				Ex eb	Ex db
PF/ATEX-1871-4T-7.5	1440	-	12.00	6.93	5.5	1280	44	176	201
PF/ATEX-1871-4T-10	1448	-	16.30	9.41	7.5	1430	49	175	194
PF/ATEX-1871-4T-15	1460	-	23.80	13.74	11	1620	55	273	269
PF/ATEX-1871-4T-20	1450	-	30.60	17.67	15	1800	62	291	276
PF/ATEX-1871-6T-4	945	14.72	8.50	-	3	1050	56	170	196
PF/ATEX-1871-6T-5.5	950	18.88	10.90	-	4	1150	61	185	205

¹ The indicated values are determined to 50 Hz motors.

1871

Dimensions mm

Horizontal

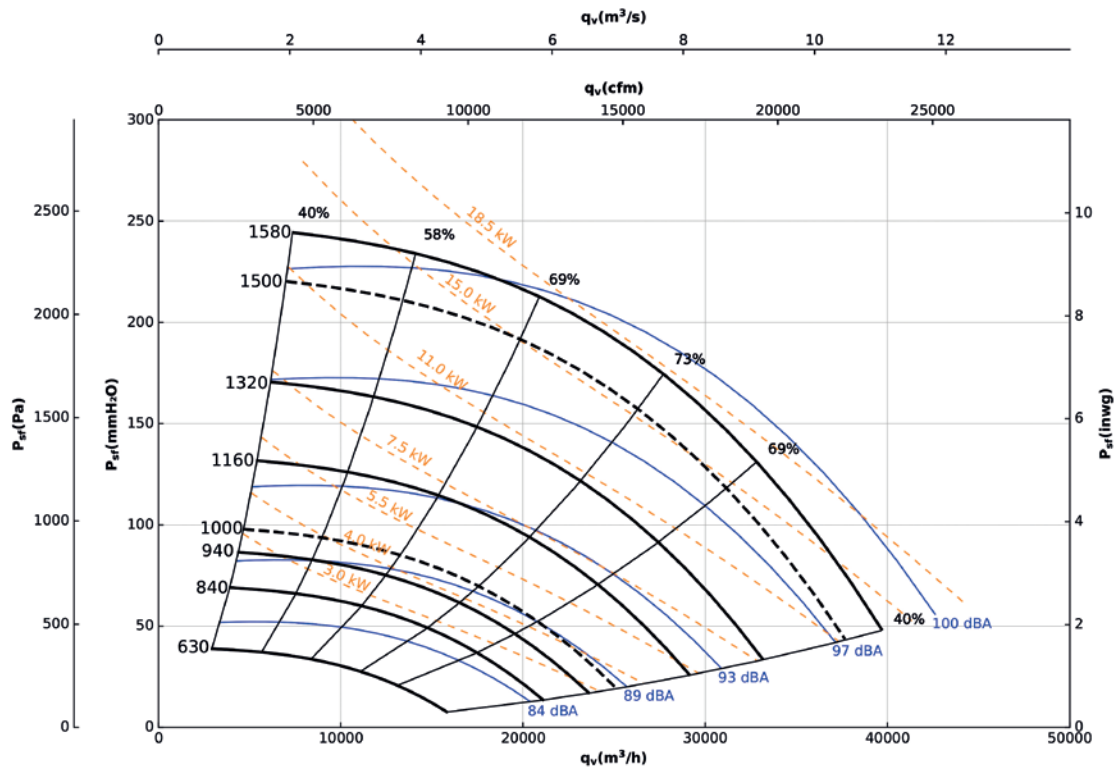


	□A	B	□C	D	E	F	G	H	I	ØJ	ØK	L1
PF-1871-4T-7.5	800	545	960	1025	905	905	70	400	800	11	9	882
PF-1871-4T-10	800	545	960	1025	905	905	70	400	800	11	9	882
PF-1871-4T-15	800	545	960	1025	905	905	70	400	800	11	9	1027
PF-1871-4T-20	800	545	960	1025	905	905	70	400	800	11	9	1027
PF-1871-6T-4	800	545	960	1025	905	905	70	400	800	11	9	882
PF-1871-6T-5.5	800	545	960	1025	905	905	70	400	800	11	9	882

2180

Characteristic curves

Q= Flow rate in m³/h, m³/s and cfm Pe= Static pressure in mm H₂O, Pa and inwg



Technical characteristics

Model	Nominal speed ¹ (r/min)	Maximum admissible current (A)			Installed power (kW)	Max. speed (r/min)	Maximum frequency (Hz)	Approx. weight (Kg)	According ErP*
		230V	400V	690V					
PF-2180-4T-20 IE3	1465	-	27.90	16.20	15	1470	50	312	2020
PF-2180-4T-25 IE3	1470	-	35.10	20.30	18.5	1580	54	330	2020
PF-2180-6T-5.5 IE3	960	15.60	8.99	-	4	940	49	222	2020
PF-2180-6T-7.5 IE3	970	-	11.20	6.49	5.5	1040	54	226	2020
PF-2180-6T-10 IE3	975	-	14.80	8.58	7.5	1160	59	297	2020
PF-2180-6T-15 IE3	975	-	21.90	12.70	11	1320	68	295	2020

* In accordance with the ErP 2020 draft
¹ The indicated values are determined to 50 Hz motors.

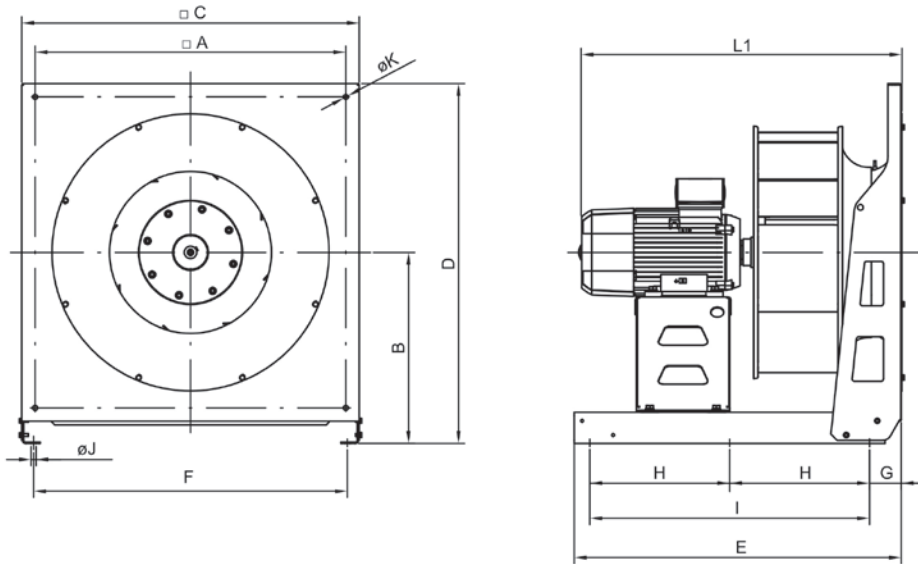
Model	Nominal speed ¹ (r/min)	Maximum admissible current (A)			Installed power (kW)	Max. speed (r/min)	Maximum frequency (Hz)	Approx. weight (Kg)	
		230V	400V	690V				Ex eb	Ex db
PF/ATEX-2180-4T-20	1450	-	30.60	17.67	15	1470	51	307	292
PF/ATEX-2180-4T-25	1474	-	35.70	20.60	18.5	1580	54	439	433
PF/ATEX-2180-6T-5.5	950	18.88	10.90	-	4	940	49	201	221
PF/ATEX-2180-6T-7.5	950	-	14.00	8.08	5.5	1040	55	208	223
PF/ATEX-2180-6T-10	965	-	16.40	9.47	7.5	1160	60	239	285
PF/ATEX-2180-6T-15	955	-	23.30	13.45	11	1320	69	276	273

¹ The indicated values are determined to 50 Hz motors.

2180

Dimensions mm

Horizontal



	□A	B	□C	D	E	F	G	H	I	ØJ	ØK	L1
PF-2180-4T-20	900	545	960	1025	1005	895	70	450	900	11	9	1029
PF-2180-4T-25	900	545	960	1025	1005	895	70	450	900	11	9	1111
PF-2180-6T-5.5	900	545	960	1025	1005	895	70	450	900	11	9	929
PF-2180-6T-7.5	900	545	960	1025	1005	895	70	450	900	11	9	929
PF-2180-6T-10	900	545	960	1025	1005	895	70	450	900	11	9	984
PF-2180-6T-15	900	545	960	1025	1005	895	70	450	900	11	9	1029

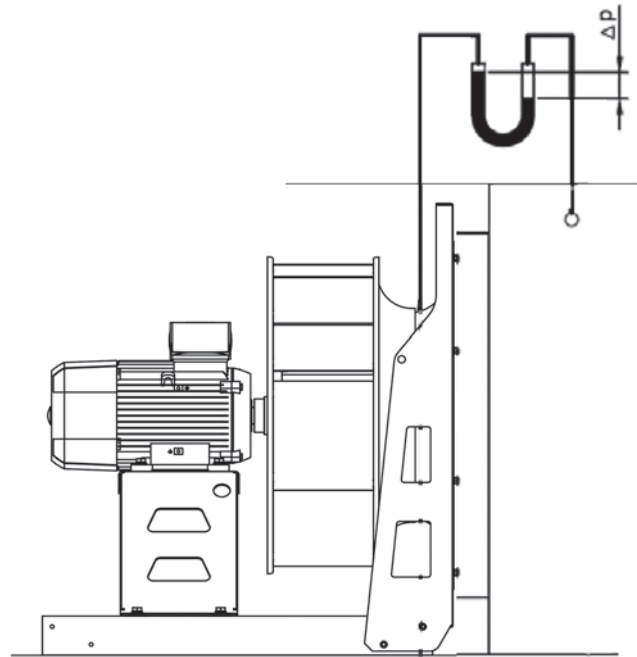
Pressure connection

Air flow rate → Q [m³/h]
 Calibration factor → K
 Difference in pressure → Δp [Pa]

$$Q = K x \sqrt{\Delta p}$$

	K Factor*
PF-925	77
PF-1028	94
PF-1031	107
PF-1135	143
PF-1240	182
PF-1445	245
PF-1650	225
PF-1856	310
PF-1663	397
PF-1871	513
PF-2180	726

* Values given for ρ = 1.2 kg/m³ and at 20 °C.





HEADQUARTER

Sodeca, S.L.U.

Pol. Ind. La Barricona
Carrer del Metall, 2
E-17500 Ripoll
Girona, SPAIN
Tel. +34 93 852 91 11
Fax: +34 93 852 90 42
General sales: comercial@sodeca.com
Export sales: ventilation@sodeca.com

PRODUCTION PLANT

Sodeca, S.L.U.

Ctra. de Berga, km 0,7
E-08580 Sant Quirze de Besora
Barcelona, SPAIN
Tel. +34 93 852 91 11
Fax: +34 93 852 90 42
General sales: comercial@sodeca.com
Export sales: ventilation@sodeca.com



EUROPE

FINLAND

Sodeca Finland, Oy

HUITTINEN
Sales and Warehouse
Mr. Kai Yli-Sipilä
Metsälännankatu 26
FI-32700 Huittinen
Tel. + 358 400 320 125
orders.finland@sodeca.com

HELSINKI

Smoke Control Solutions
Mr. Antti Kontkanen
Viilppulantie 9C
FI-00700 Helsinki
Tel. +358 400 237 434
akontkanen@sodeca.com

HYVINKÄÄ

Smoke extraction and
industrial applications
Niinistökatu 12
FI-05800 Hyvinkää
Mr. Jaakko Tomperi
Tel. +358 451 651 333
jtomperi@sodeca.com
Mrs. Kaisa Partanen
Tel. +358 451 308 038
kpartanen@sodeca.com

ITALIA

Marelli Ventilazione, S.R.L.

Viale del Lavoro, 28
37036 San Martino B.A.
(VR), ITALY
Tel. +39 045 87 80 140
vendite@sodeca.com

PORTUGAL

Sodeca Portugal, Unip. Lda.

PORTO
Rua Veloso Salgado
1120/1138
4450-801 Leça de Palmeira
Tel. +351 229 991 100
geral@sodeca.pt

LISBOA

Pq. Emp. da Granja Pav. 29
2625-607 Vialonga
Tel. +351 219 748 491
geral@sodeca.pt

ALGARVE

Rua da Alegria, 33
8200-569 Ferreiras
Tel. +351 289 092 586
geral@sodeca.pt

UNITED KINGDOM

Sodeca Fans UK, Ltd.

Mr. Mark Newcombe
Tamworth Enterprise Centre
Philip Dix House, Corporation
Street, Tamworth, B79 7DN
UNITED KINGDOM
Tel. +44 (0) 1827 216 109
sales@sodeca.co.uk

AMERICA

CHILE

Sodeca Ventiladores, SpA.

Sra. Sofía Ormazábal
Santa Bernardita 12.005
(Esquina con Puerta Sur)
Bodegas 24 a 26,
San Bernardo, Santiago,
CHILE
Tel. +56 22 840 5582
ventas.chile@sodeca.com

COLOMBIA

Sodeca Latam, S.A.S.

Sra. Luisa Stella Prieto
Calle7 No. 13 A-44
Manzana 4 Lote1, Montana
Mosquera, Cundinamarca
Bogotá, COLOMBIA
Tel. +57 1 756 4213
ventascolombia@sodeca.co

PERU

Sodeca Perú, S.A.C.

Sr. Jose Luis Jiménez
C/ Mariscal Jose Luis de
Orbegoso 331. Urb. El pino.
15022, San Luis. Lima, PERÚ
Tel. +51 1 326 24 24
Cel. +51 994671594
comercial@sodeca.pe



www.sodeca.com

